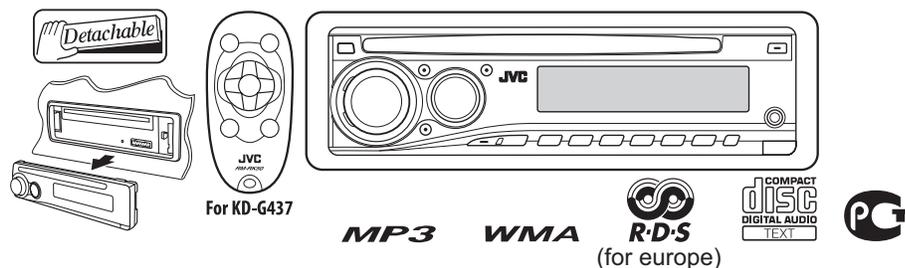


JVC

SERVICE MANUAL

CD RECEIVER

**KD-G431E, KD-G431EX, KD-G431EY,
KD-G431EU, KD-G433UI, KD-G434UI,
KD-G435U, KD-G435UN, KD-G435UT,
KD-G435UH, KD-G436U, KD-G436UN,
KD-G436UT, KD-G436UH, KD-G437EE,
KD-G387EE**



Lead free solder used in the board (material : Sn-Ag-Cu, melting point : 219 Centigrade)

TABLE OF CONTENTS

1	PRECAUTIONS	1-3
2	SPECIFIC SERVICE INSTRUCTIONS	1-6
3	DISASSEMBLY	1-7
4	ADJUSTMENT	1-10
5	TROUBLESHOOTING	1-11

SPECIFICATION

AUDIO AMPLIFIER SECTION		
Maximum Power Output	Front/Rear	50 W per channel
Continuous Power Output (RMS)	Front/Rear	19 W per channel into 4 Ω 40 Hz to 20 000 Hz at no more than 0.8% total harmonic distortion.
	Load Impedance	4 Ω (4 Ω to 8 Ω allowance)
Tone Control Range	Bass	± 12 dB at 60 Hz
	Mid-range	± 12 dB at 1 kHz
	Treble	± 12 dB at 7.5 kHz
	Frequency Response	40 Hz to 20 000 Hz
	Signal-to-Noise Ratio	70 dB
	Line-Out Level/Impedance	2.5 V/20 k Ω load (full scale)
	Output Impedance	1 k Ω
	Other Terminals	CD changer (for KD-G437) AUX (auxiliary) input jack
TUNER SECTION		
Frequency Range:	FM (for Asia)	87.5 MHz to 108.0 MHz
	FM1 (for EY)	87.5 MHz to 108.0 MHz
	FM1/FM2 (for EE)	87.5 MHz to 108.0 MHz
	FM3 (for EE)	65.00 MHz to 74.00 MHz
	AM (for Asia)	531 kHz to 1 602 kHz
	AM (for EE)	MW: 522 kHz to 1620 kHz
		LW: 144 kHz to 279 kHz
FM Tuner	Usable Sensitivity	11.3 dBf (1.0 μ V/75 Ω)
	50 dB Quieting Sensitivity	16.3 dBf (1.8 μ V/75 Ω)
	Alternate Channel Selectivity (400 kHz)	65 dB
	Frequency Response	40 Hz to 15 000 Hz
	Stereo Separation	30 dB
AM Tuner (for Asia)	Sensitivity/Selectivity	20 μ V/35 dB
MW Tuner (for EE)	Sensitivity/Selectivity	20 μ V/35 dB
LW Tuner (for EE)	Sensitivity	50 μ V
CD PLAYER SECTION		
Type	Compact disc player	
Signal Detection System	Non-contact optical pickup (semiconductor laser)	
Number of Channels	2 channels (stereo)	
Frequency Response	5 Hz to 20 000 Hz	
Dynamic Range	96 dB	
Signal-to-Noise Ratio	98 dB	
Wow and Flutter	Less than measurable limit	
MP3 Decoding Format: (MPEG1/2 Audio Layer 3)	Max. Bit Rate : 320 kbps	
WMA (Windows Media®Audio) Decoding Format	Max. Bit Rate : 192 kbps	
GENERAL		
Power Requirement	Operating Voltage	DC 14.4 V (11 V to 16 V allowance)
	Grounding System	Negative ground
	Allowable Operating Temperature	0°C to +40°C
Dimensions (W × H × D): (approx.)	Installation Size	182 mm × 52 mm × 150 mm
	Panel Size	187 mm × 58 mm × 13 mm
Mass	1.3 kg (excluding accessories)	

Design and specifications are subject to change without notice.

SECTION 1 PRECAUTIONS

1.1 Safety Precautions

 **CAUTION** Burrs formed during molding may be left over on some parts of the chassis. Therefore, pay attention to such burrs in the case of performing repair of this system.

 **CAUTION** Please use enough caution not to see the beam directly or touch it in case of an adjustment or operation check.

1.2 Preventing static electricity

Electrostatic discharge (ESD), which occurs when static electricity stored in the body, fabric, etc. is discharged, can destroy the laser diode in the traverse unit (optical pickup). Take care to prevent this when performing repairs.

1.2.1 Grounding to prevent damage by static electricity

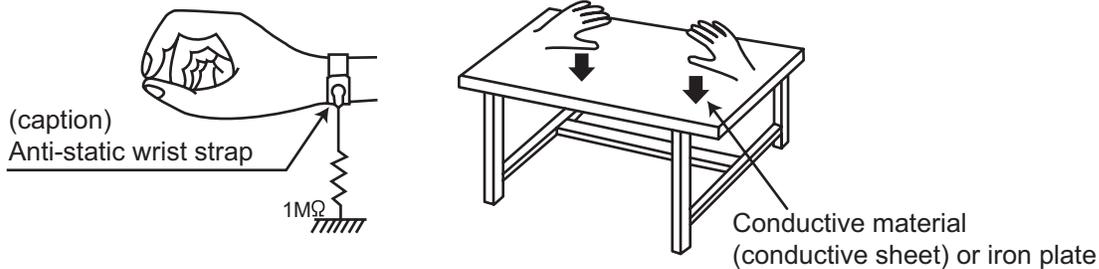
Static electricity in the work area can destroy the optical pickup (laser diode) in devices such as CD players. Be careful to use proper grounding in the area where repairs are being performed.

(1) Ground the workbench

Ground the workbench by laying conductive material (such as a conductive sheet) or an iron plate over it before placing the traverse unit (optical pickup) on it.

(2) Ground yourself

Use an anti-static wrist strap to release any static electricity built up in your body.



(3) Handling the optical pickup

- In order to maintain quality during transport and before installation, both sides of the laser diode on the replacement optical pickup are shorted. After replacement, return the shorted parts to their original condition. (Refer to the text.)
- Do not use a tester to check the condition of the laser diode in the optical pickup. The tester's internal power source can easily destroy the laser diode.

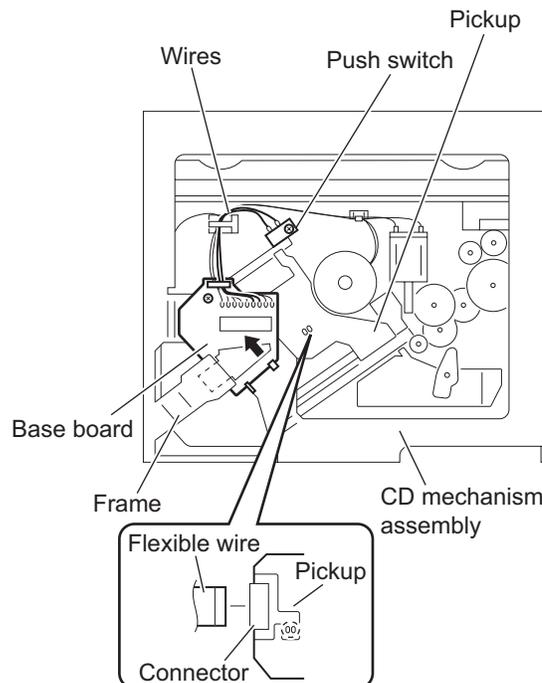
1.3 Handling the traverse unit (optical pickup)

- (1) Do not subject the traverse unit (optical pickup) to strong shocks, as it is a sensitive, complex unit.
- (2) Cut off the shorted part of the flexible cable using nippers, etc. after replacing the optical pickup. For specific details, refer to the replacement procedure in the text. Remove the anti-static pin when replacing the traverse unit. Be careful not to take too long a time when attaching it to the connector.
- (3) Handle the flexible cable carefully as it may break when subjected to strong force.
- (4) It is not possible to adjust the semi-fixed resistor that adjusts the laser power. Do not turn it.

1.4 Attention when traverse unit is decomposed

***Please refer to "Disassembly method" in the text for the CD pickup unit.**

- Apply solder to the short land before the flexible wire is disconnected from the connector on the CD pickup unit. (If the flexible wire is disconnected without applying solder, the CD pickup may be destroyed by static electricity.)
- In the assembly, be sure to remove solder from the short land after connecting the flexible wire.



1.5 Important for laser products

1. CLASS 1 LASER PRODUCT

2. CAUTION :

(For U.S.A.) Visible and/or invisible class II laser radiation when open. Do not stare into beam.
(Others) Visible and/or invisible class 1M laser radiation when open. Do not view directly with optical instruments.

3. CAUTION : Visible and/or invisible laser radiation when open and inter lock failed or defeated. Avoid direct exposure to beam.

4. CAUTION : This laser product uses visible and/or invisible laser radiation and is equipped with safety switches which prevent emission of radiation when the drawer is open and the safety interlocks have failed or are defeated. It is dangerous to defeat the safety switches.

(For U.S.A.)

CAUTION : Visible and/or invisible class II laser radiation when open. Do not stare into beam.

(Others)

CAUTION : Visible and/or invisible class 1M laser radiation when open. Do not view directly with optical instruments

ACHTUNG: Sichtbare und/oder unsichtbare Laserstrahlung der Klasse 1M bei offenen Abdeckungen. Nicht direkt mit optischen Instrumenten betrachten.

ATTENTION: Rayonnement laser visible et/ou invisible de classe 1M une fois ouvert. Ne pas regarder directement avec des instruments optiques.

VOORZICHTIG: Zichtbare en/of onzichtbare klasse 1M laserstralen indien geopend. Bekijk niet direct met optische instrumenten.

ATTENZIONE: Radiazione laser in classe 1M visibile e/o invisibile quando aperto. Non osservare direttamente con strumenti ottici.

WARNING: Synlig och/eller osynlig laserstrålning, klass 1M, när denna del är öppnad. Betrakta ej strålen med optiska instrument.

VARO! Avattaessa olet alttiina näkyvälle ja/tai näkymättömälle luokan 1M lasersäteilylle. Älä tarkastele sitä optisen laitteen läpi.

ADVARSEL: Synlig og/eller usynlig klasse 1M-laserstråling ved åbning. Se ikke direkte med optiske instrumenter.

AVISO: Radiación láser de clase 1M visible y/o invisible cuando está abierto. No mirar directamente con instrumental óptico.

PRECAUÇÃO: Radiação laser de classe 1M visível e/ou invisível quando aberto. Não olhe diretamente com instrumentos ópticos.

5. CAUTION : If safety switches malfunction, the laser is able to function.

6. CAUTION : Use of controls, adjustments or performance of procedures other than those specified here in may result in hazardous radiation exposure.



CAUTION Please use enough caution not to see the beam directly or touch it in case of an adjustment or operation check.

PRECAUÇÃO: Radiação laser de classe 1M visível e/ou invisível quando aberto. Não olhe diretamente com instrumentos ópticos.

ПРЕДУПРЕЖДЕНИЕ: В открытом состоянии происходит видимое и/или невидимое излучение лазера класса 1M. Не смотрите непосредственно в оптические инструменты.

UWAGA: Otwarcie spowoduje narażenie na widzialne i/lub niewidzialne promieniowanie lasera klasy 1M. Nie patrzeć bezpośrednio w przyrządy optyczne.

UPOZORNĚNÍ: Při otevření vydává viditelné popř. neviditelné laserové ozáření třídy 1M. Nedívejte se do otvoru přímo s optickými nástroji.

FIGYELMEZTETÉS: Látható és/vagy láthatatlan 1M osztályú sugárzás nyitott állapotban. Ne nézze közvetlenül optikai műszerekkel.

注意：打開蓋板可能會產生可見或不可見的 1M 級鐳射。不要使用光學儀器直接進行窺視。

注意：打开盖板可能会产生可见或不可见的 1M 级辐射。不要使用光学仪器直接进行窥视。

تنبيه: يوجد إشعاع ليزري مرئي و/أو غير مرئي من الفئة 1M عندما يكون الجهاز مفتوحاً. تجنب النظر مباشرة داخل الجهاز باستخدام أدوات بصرية.

احتياط: هنگامی که باز گردد، تشعشع مرئی و یا نامرئی کلاس 1M لیزر وجود دارد. با لوازم چشمی مستقیماً به آن نگاه نکنید.

주의: 개방하면 가지 및/또는 비가시 클래스 1M 레이저 방사선이 나옵니다. 광학 기구로 직접 들여다보지 마십시오.

REPRODUCTION AND POSITION OF LABELS and PRINT WARNING LABEL and PRINT



CAUTION VISIBLE AND/OR INVISIBLE CLASS 1M LASER RADIATION WHEN OPEN. DO NOT VIEW DIRECTLY WITH OPTICAL INSTRUMENTS. IEC30025-1:2001 (ENG)	ATTENTION RAYONNEMENT LASER VISIBLE ET/OU INVISIBLE DE CLASSE 1M UNE FOIS OUVERT. NE PAS REGARDER DIRECTEMENT AVEC DES INSTRUMENTS OPTIQUES. (FRA)	AVISO RADIACIÓN LÁSER DE CLASE 1M VISIBLE Y/O INVISIBLE CUANDO ESTA ABIERTO. NO MIRAR DIRECTAMENTE CON INSTRUMENTAL ÓPTICO. (ESP)	WARNING SYNLIG OCH/ELLER OSYNLIG LASERSTRÅLNING, KLASS 1M, NÅR DENNA DEL ÄR ÖPPNAD. BETRAKTA EJ STRÅLEN MED OPTISKA INSTRUMENT. (SWE)	注意 ここを覗くと可視 及び/または不可視 のクラス1M レーザー放射が 出ます。 光学装置で直接 見ないでください。 (JPN)	CAUTION VISIBLE AND/OR INVISIBLE CLASS 1 LASER RADIATION WHEN OPEN. DO NOT STARE INTO BEAM. FDA 21 CFR (ENG)
--	--	---	---	--	--

SECTION 2
SPECIFIC SERVICE INSTRUCTIONS

This service manual does not describe SPECIFIC SERVICE INSTRUCTIONS.

SECTION 3 DISASSEMBLY

3.1 Main body

3.1.1 Removing the Bottom cover (See Fig.1)

- (1) Disengage the five hooks **a** engaged Bottom cover.

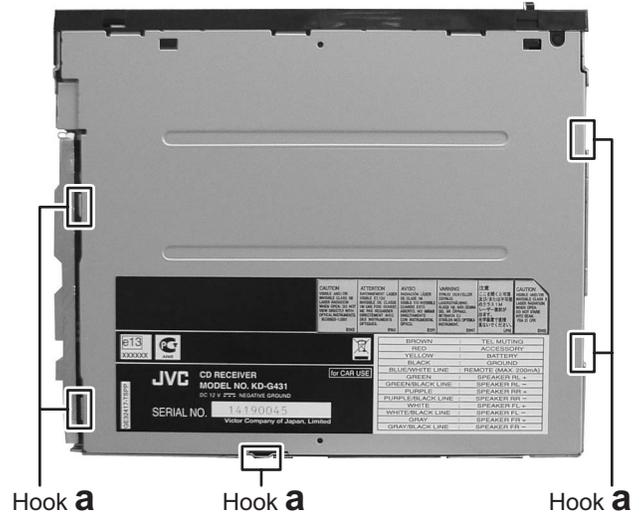


Fig.1

3.1.2 Removing the Front chassis assembly (See Fig.2)

- (1) Remove the two screws **A** (both side of Front chassis assembly) attaching the Front chassis assembly.
- (2) Disengage the two hooks **b** (both side of the Front chassis assembly) engaged the Front chassis assembly.

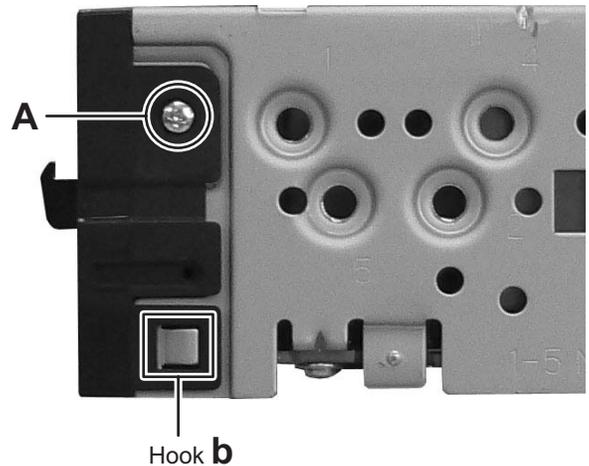


Fig.2

3.1.3 Removing the Rear bracket (See Fig.3)

- (1) Remove the one screw **B** attaching the remote cable. (only for Europe)
- (2) Remove the one screw **C** attaching the antenna jack.
- (3) Remove the one screw **D** attaching the LINE OUT jack.
- (4) Remove the one screw **E** attaching the CD-CH jack.
- (5) Remove the one screw **F** attaching the IC bracket.
- (6) Remove the two screws **G** attaching the 16pin connector.
- (7) Removing the three screws **H** attaching the Rear bracket.

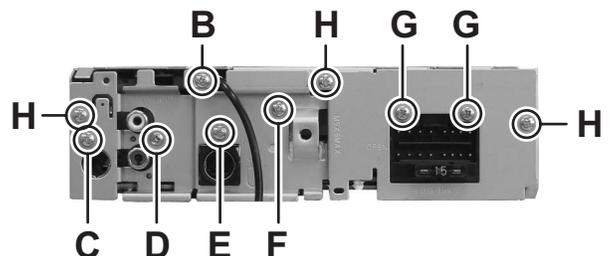


Fig.3

3.1.4 Removing the Heat sink (See Fig.4)

- (1) Remove the two screws **J** and one screw **K** attaching the Heat sink.

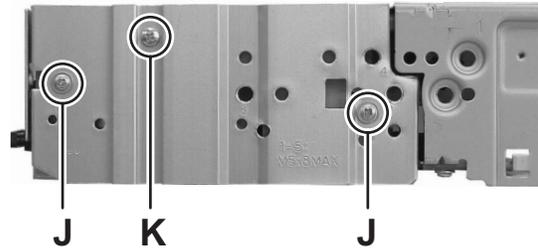


Fig.4

3.1.5 Removing the Main board assembly (See Fig.5)

- (1) Remove the two screws **L** attaching the Main board assembly.
- (2) Disconnect the connector [CN501](#) connected the Main board assembly and CD board assembly.

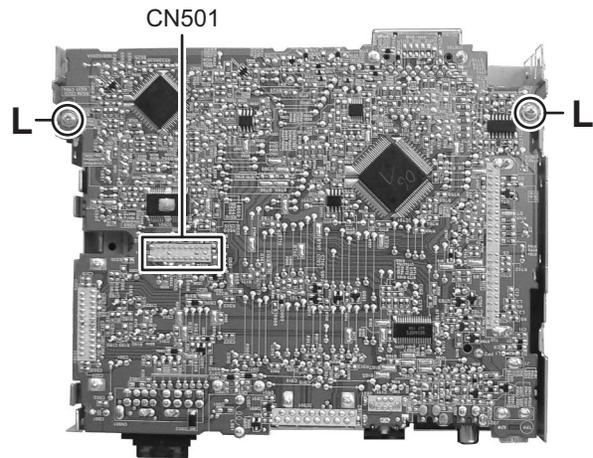


Fig.5

3.1.6 Removing the CD mechanism assembly (See Fig.6)

- (1) Remove the three screws **M** attaching the CD mechanism assembly.

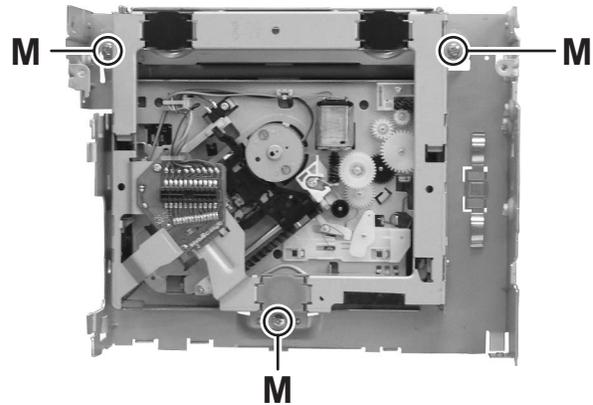


Fig.6

3.2 Front panel assembly

3.2.1 Removing the Rear cover

(See Fig.7)

- (1) Remove the volume knob from Front panel assembly.
- (2) Remove the five screws **N** attaching the Rear cover.
- (3) Disengage the fourteen hooks **c** engaged Rear cove.

CAUTION:

When remove the Rear cover, Detach knob and spring are easy to come off to easy, do not lost them.

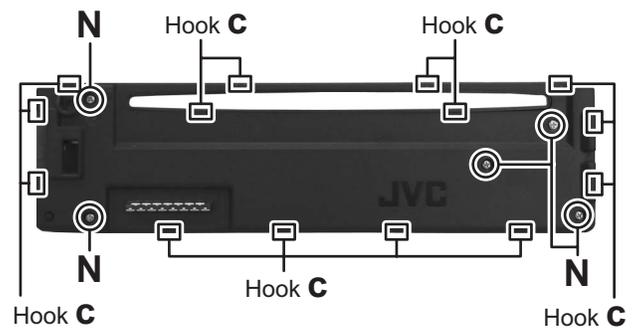


Fig.7

3.2.2 Remove the Switch board assembly

(See Fig.8)

- (1) Disengage the Illumination lens from engaged part of Front cover.
- (2) Lift up the Switch board assembly, and then remove it.

CAUTION:

When remove the Switch board assembly, each knob come off to easy, do not lost them.

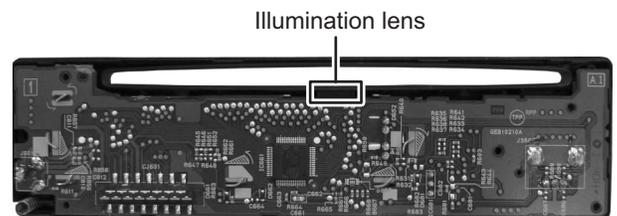


Fig.8

3.3 CD mechanism assembly

For CD mechanism, please refer mechanism manual TN2007-1010 ([No.MY005](#) and [No.MY005B](#)).

SECTION 4 ADJUSTMENT

4.1 Test instruments required for adjustment

- (1) Digital oscilloscope (100MHz)
- (2) Electric voltmeter
- (3) Digital tester
- (4) Tracking offset meter
- (5) Test Disc JVC: CTS-1000
- (6) Extension cable for check
EXTSH002-22P × 1

4.2 Standard measuring conditions

Power supply voltage : DC14.4V(10.5 to 16V)
Load impedance : 20K Ω (2 Speakers connection)
Output Level : Line out 2.0V (Vol. MAX)

4.3 Standard volume position

Balance and Bass & Treble volume : Indication "0"
Loudness : OFF

4.4 Dummy load

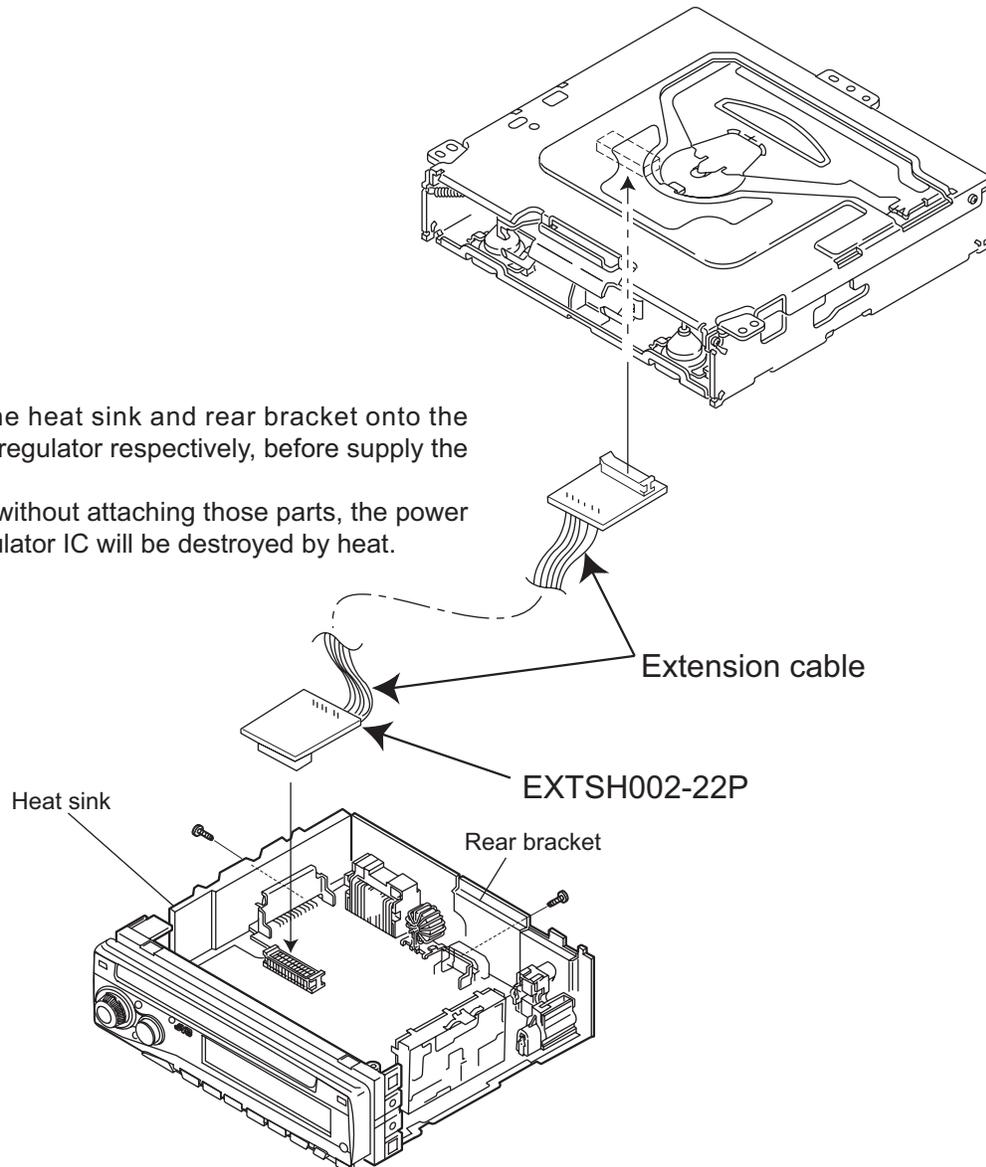
Exclusive dummy load should be used for AM, and FM. For FM dummy load, there is a loss of 6dB between SSG output and antenna input. The loss of 6dB need not be considered since direct reading of figures are applied in this working standard.

4.5 How to connect the extension cable for adjustment

CAUTION :

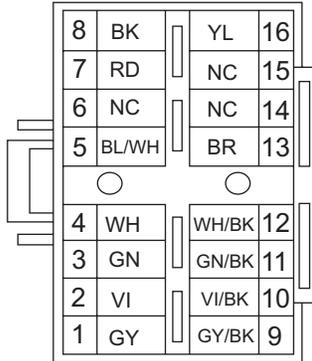
Be sure to attach the heat sink and rear bracket onto the power amplifier and regulator respectively, before supply the power.

If voltage is applied without attaching those parts, the power amplifier IC and regulator IC will be destroyed by heat.

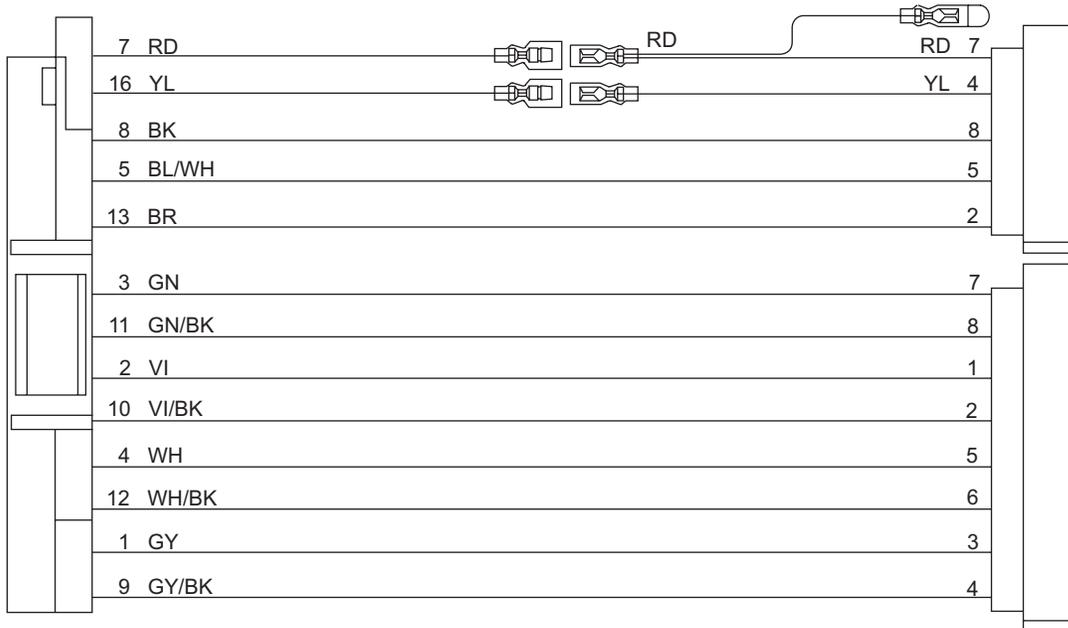
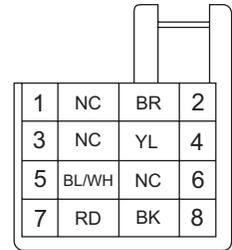


SECTION 5 TROUBLESHOOTING

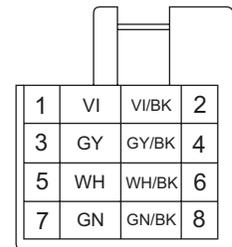
5.1 16PIN CORD DIAGRAM (for Europe)



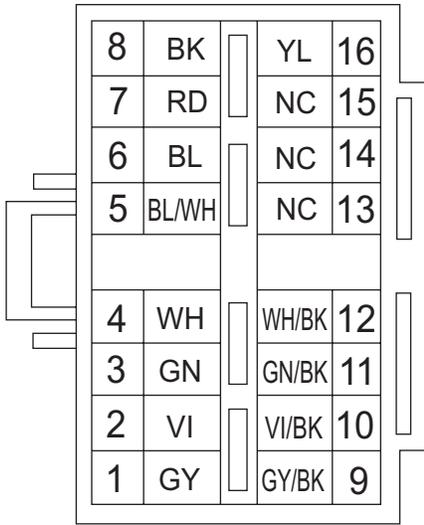
BK	Black	GN	Green
RD	Red	VI	Violet
BL	Blue	GY	Gray
WH	White	YL	Yellow
BR	Brown		



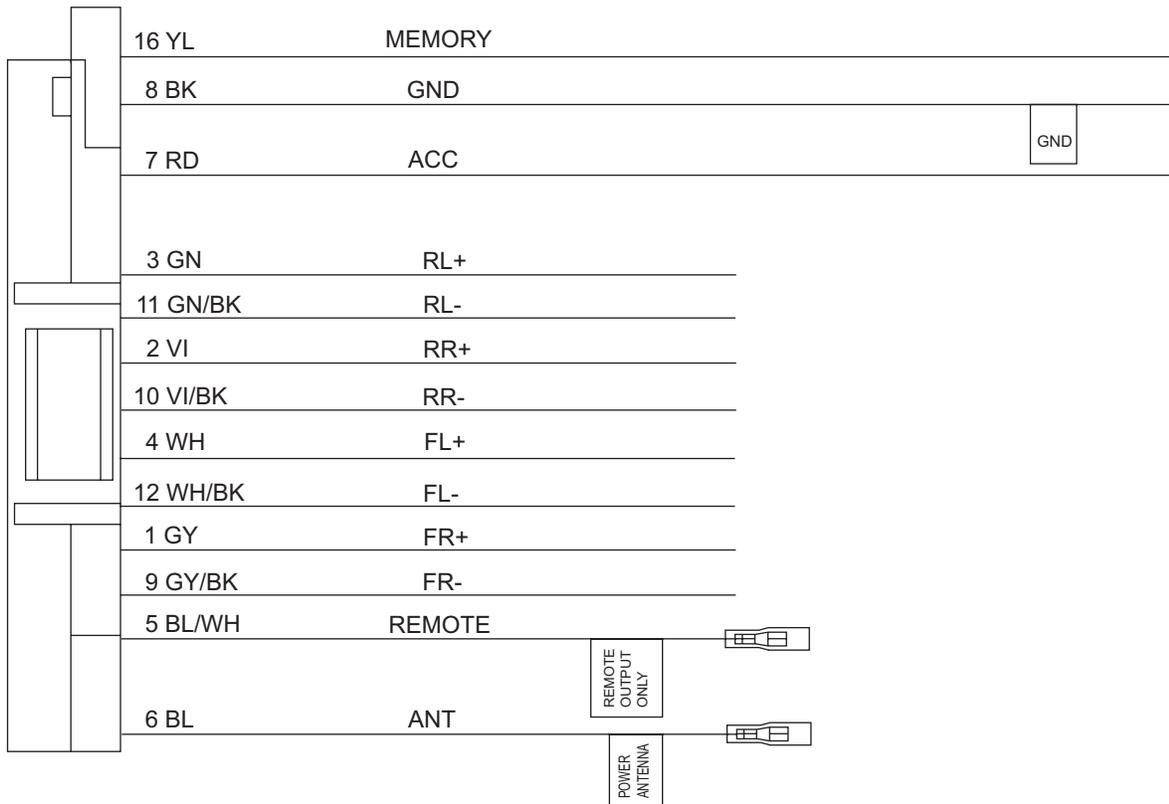
RR	Rear Right	ACC	ACC Line
FR	Front Right	TEL	Telephone Muting
FL	Front Left	GND	Ground
RL	Rear Left	MEMORY	Memory Backup Battery+
REMOTE	Remote	ANT	Auto Antenna
ILL	Illuminations Control		



5.2 16 PIN CORD DIAGRAM (for Asia)



BK	Black	GN	Green
RD	Red	VI	Violet
BL	Blue	GY	Gray
WH	White	YL	Yellow



RR	Rear Right	ANT	Auto Antenna
FR	Front Right	ACC	ACC Line
FL	Front Left	GND	Ground
RL	Rear Left	MEMORY	Memory Backup Battery+
REMOTE	Remote		



JVC

Victor company of Japn, Limited
Mobile Entertainment Business Group Mobile Entertainment Category 10-1,1chome,Ohwatari-machi,Maebashi-city,Gumma-ken, 371-8543,Japan

(No.MA290)

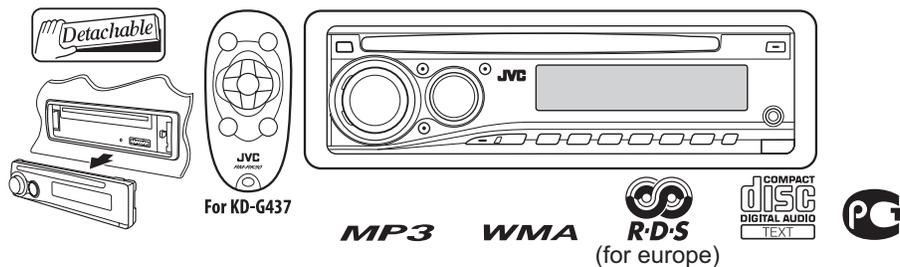
JVC

SCHEMATIC DIAGRAMS

CD RECEIVER

**KD-G431E, KD-G431EX, KD-G431EY
KD-G431EU, KD-G433UI, KD-G434UI
KD-G435U, KD-G435UN, KD-G435UT
KD-G435UH, KD-G436U, KD-G436UN
KD-G436UT, KD-G436UH
KD-G437EE, KD-G387EE**

CD-ROM No.SML200612



Lead free solder used in the board (material : Sn-Ag-Cu, melting point : 219 Centigrade)

Contents

Block diagram	2-1
Standard schematic diagrams	2-2
Printed circuit boards	2-5

Safety precaution

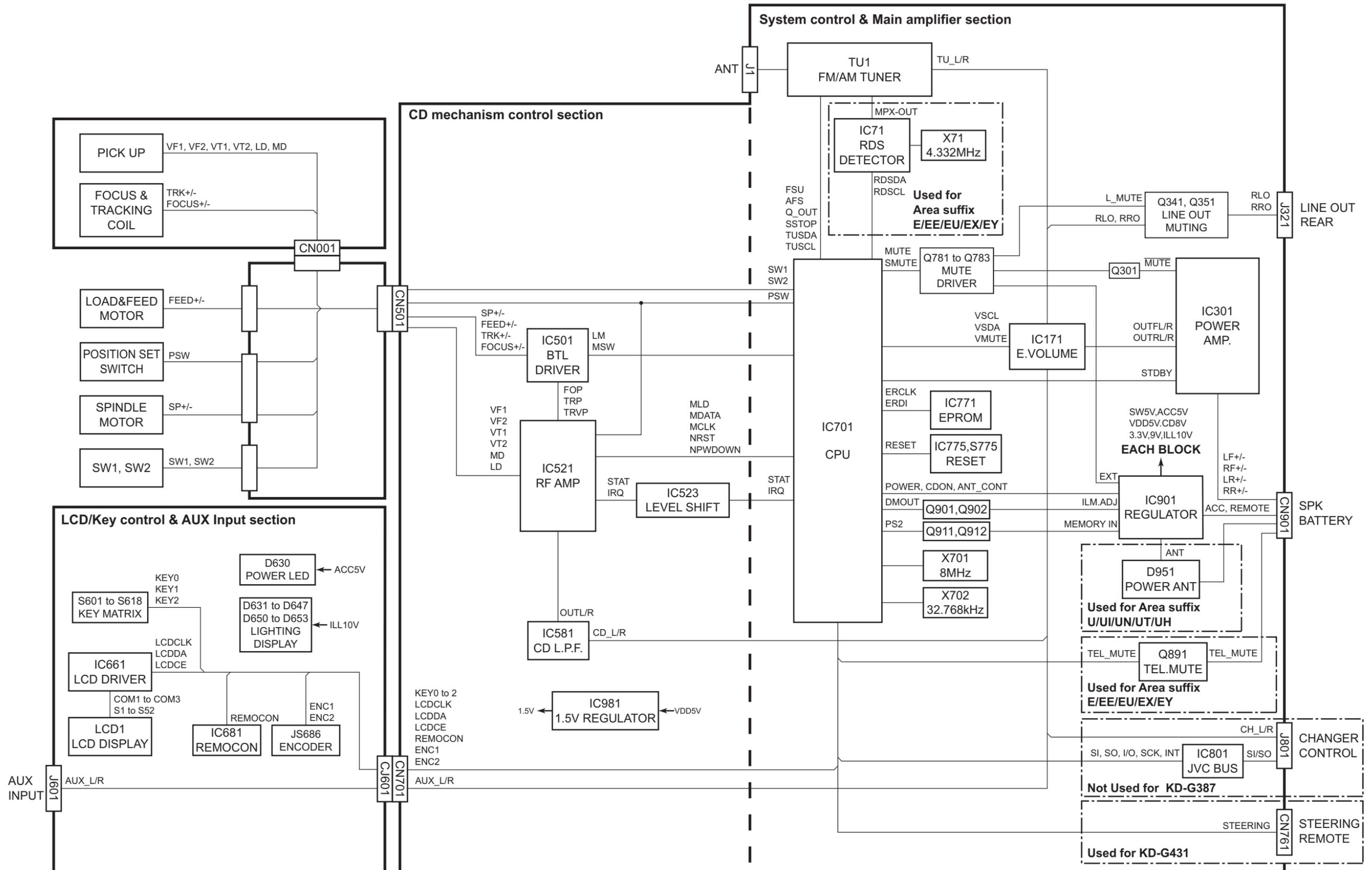


CAUTION Burrs formed during molding may be left over on some parts of the chassis. Therefore, pay attention to such burrs in the case of performing repair of this system.



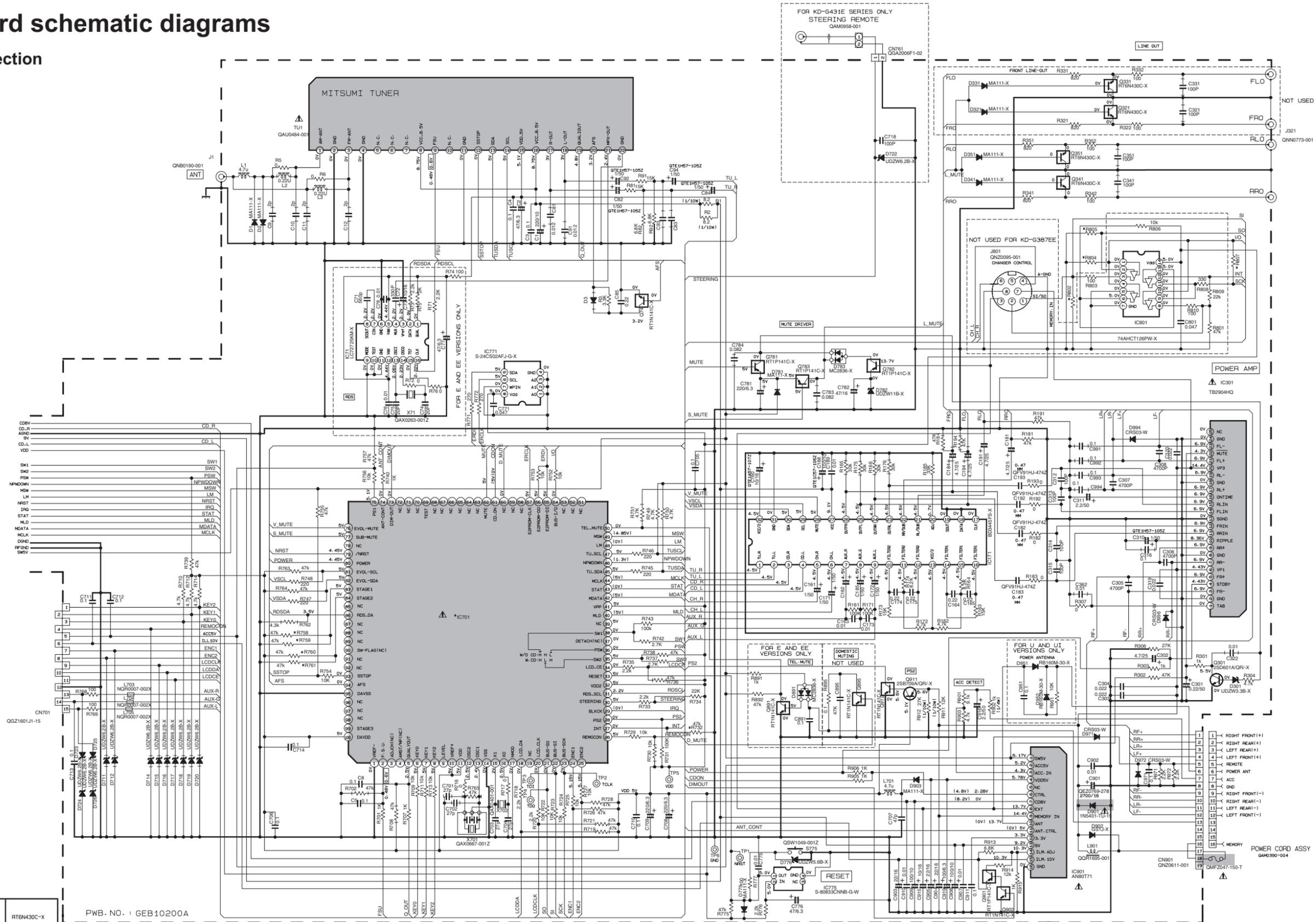
CAUTION Please use enough caution not to see the beam directly or touch it in case of an adjustment or operation check.

Block diagram



Standard schematic diagrams

Main section



PWB. NO. : GEB10200A

- NOTES**
- VOLTAGES ARE DC-MEASURED WITH A DIGITAL VOLT METER WITHOUT INPUT SIGNAL CONDITION—FM MODE. () AM MODE. () CD MODE.
 - UNLESS OTHERWISE SPECIFIED, ALL RESISTORS ARE 1/16W ± 5% METAL GLAZE RESISTOR. ALL CAPACITORS ARE 50V OR 25V CERAMIC CAPACITOR. ALL RESISTANCE VALUES ARE IN Ω. ALL CAPACITANCE VALUES ARE IN uF (P=pF) ALL E-CAPACITORS ARE SHOWN IN THE FORM OF CAPACITANCE (uF)/RATED VOLTAGE (V) TF — T. F. CAPACITOR
 - COMPONENTS IN () INDICATE NOT USED.

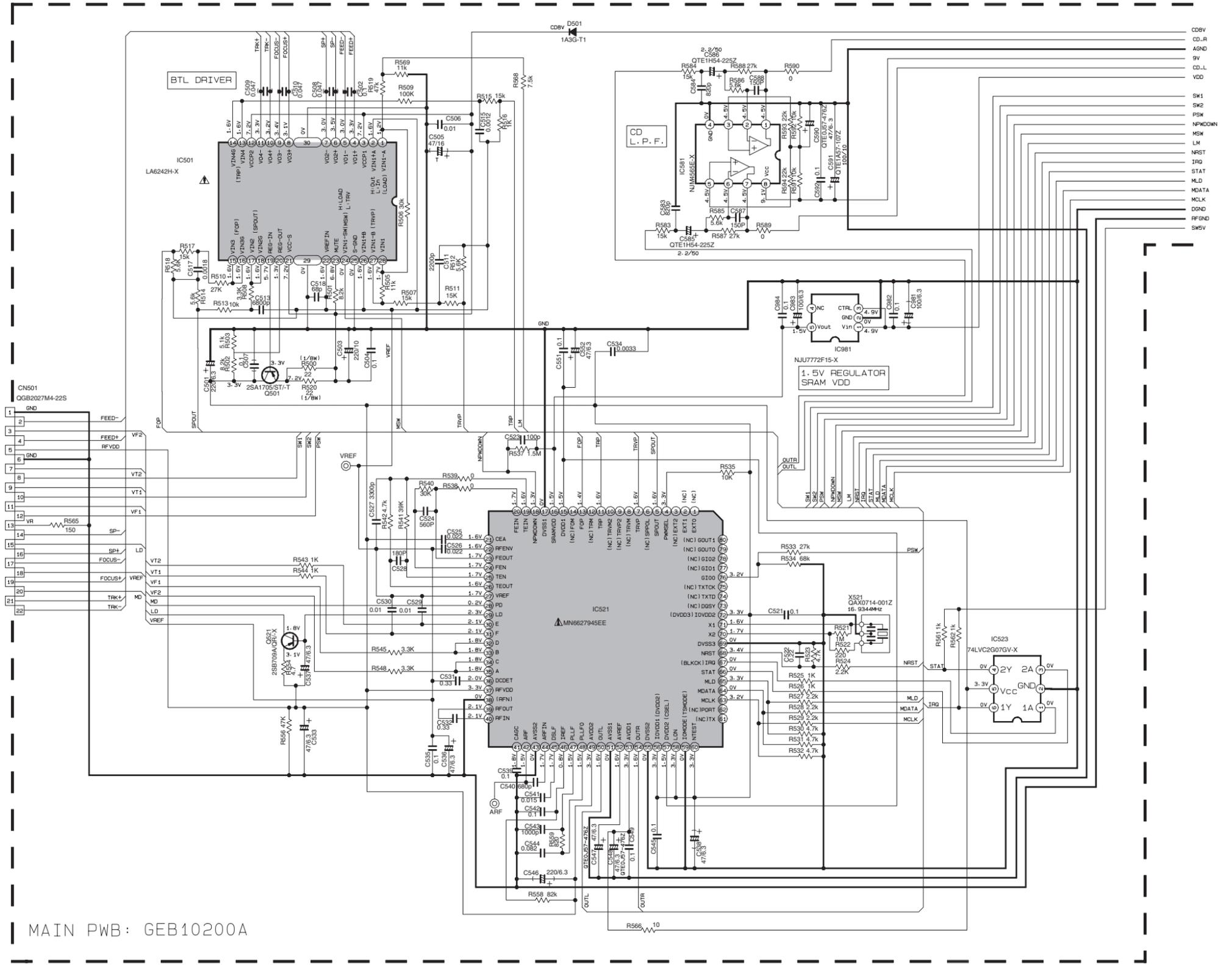
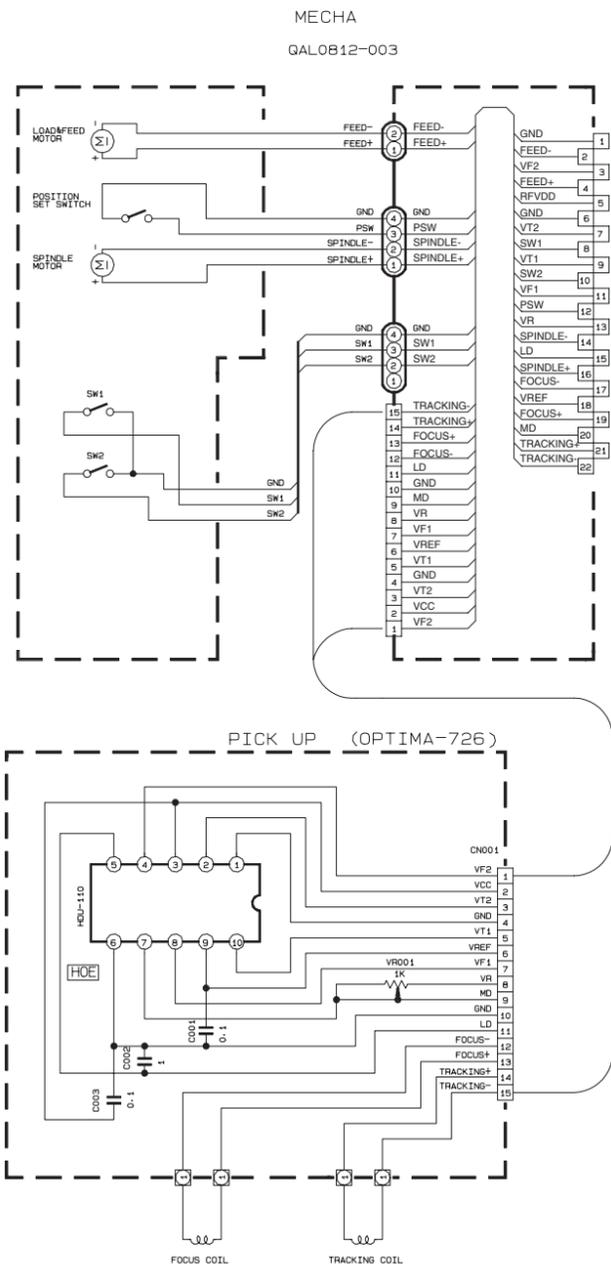
REMARKS

REF. MARK	MODEL	KD-G437EE	KD-G387EE	KD-G431E SERIES	KD-G430U SERIES/KD-G436U SERIES
R788	RT6N430C-X	NOT USED	NOT USED	USED	NOT USED
R799	RT1N141C-X	USED	USED	NOT USED	USED
R760	RT1N141C-X	NOT USED	NOT USED	NOT USED	NOT USED
R761	RT1N141C-X	USED	NOT USED	USED	NOT USED
R732	RT1P141C-X	NOT USED	USED	NOT USED	NOT USED
R802	47K	0Ω	47K	47K	47K
R804	20K	20K	20K	20K	20K
R805	100K	100K	100K	100K	100K
R807	100K	20K	100K	100K	100K
IC701	MN101C49KWR	MN101C49KWR	MN101C49KWR	MN101C49KWP	

⚠ Parts are safety assurance parts. When replacing those parts make sure to use the specified one.

	4.7K		RT6N430C-X
	10K		RT1N141C-X
	10K		RT1P141C-X

CD section

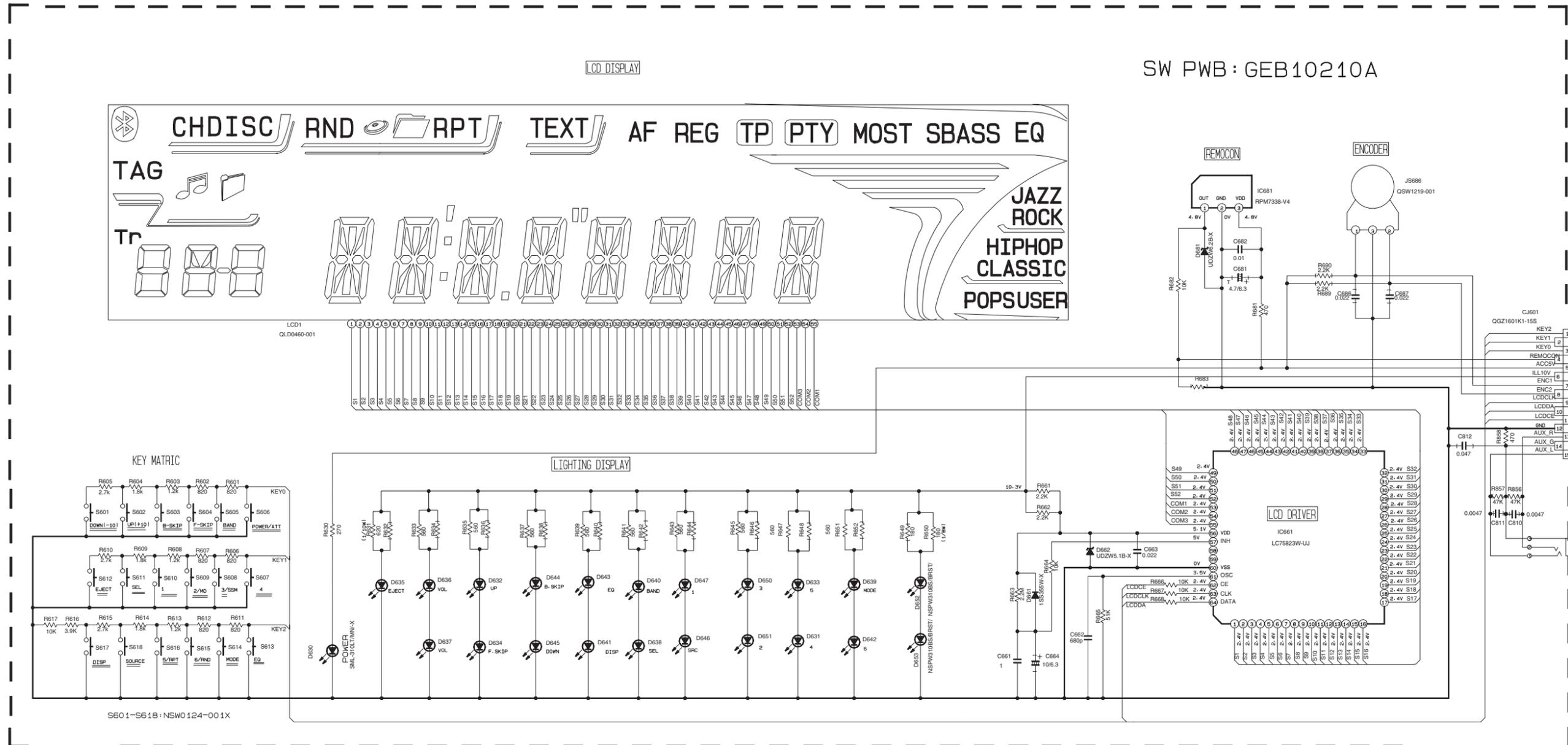


MAIN PWB: GEB10200A

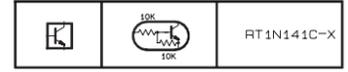
- NOTES:
- VOLTAGE ARE DC-MEASURED WITH A DIGITAL VOLTMETER WITHOUT INPUT SIGNAL CONDITION — CD MODE.
 - UNLESS OTHERWISE SPECIFIED.
 - ALL RESISTOR ARE 1/16W ±5%METAL GLAZE RESISTOR.
 - ALL CAPACITOR ARE 50V OR 25V CERAMIC CAPACITOR.
 - ALL RESISTANCE VALUES ARE IN OHM
 - ALL CAPACITANCE VALUES ARE IN uF (p=PF).
 - ALL INDUCTANCE VALUES ARE IN uH
 - ALL E- CAPACITORS ARE SHOWN IN THE FORM OF CAPACITANCE(uF)/RATED VOLTAGE(V)

Parts are safety assurance parts. When replacing those parts make sure to use the specified one.

■ LCD and Key control section



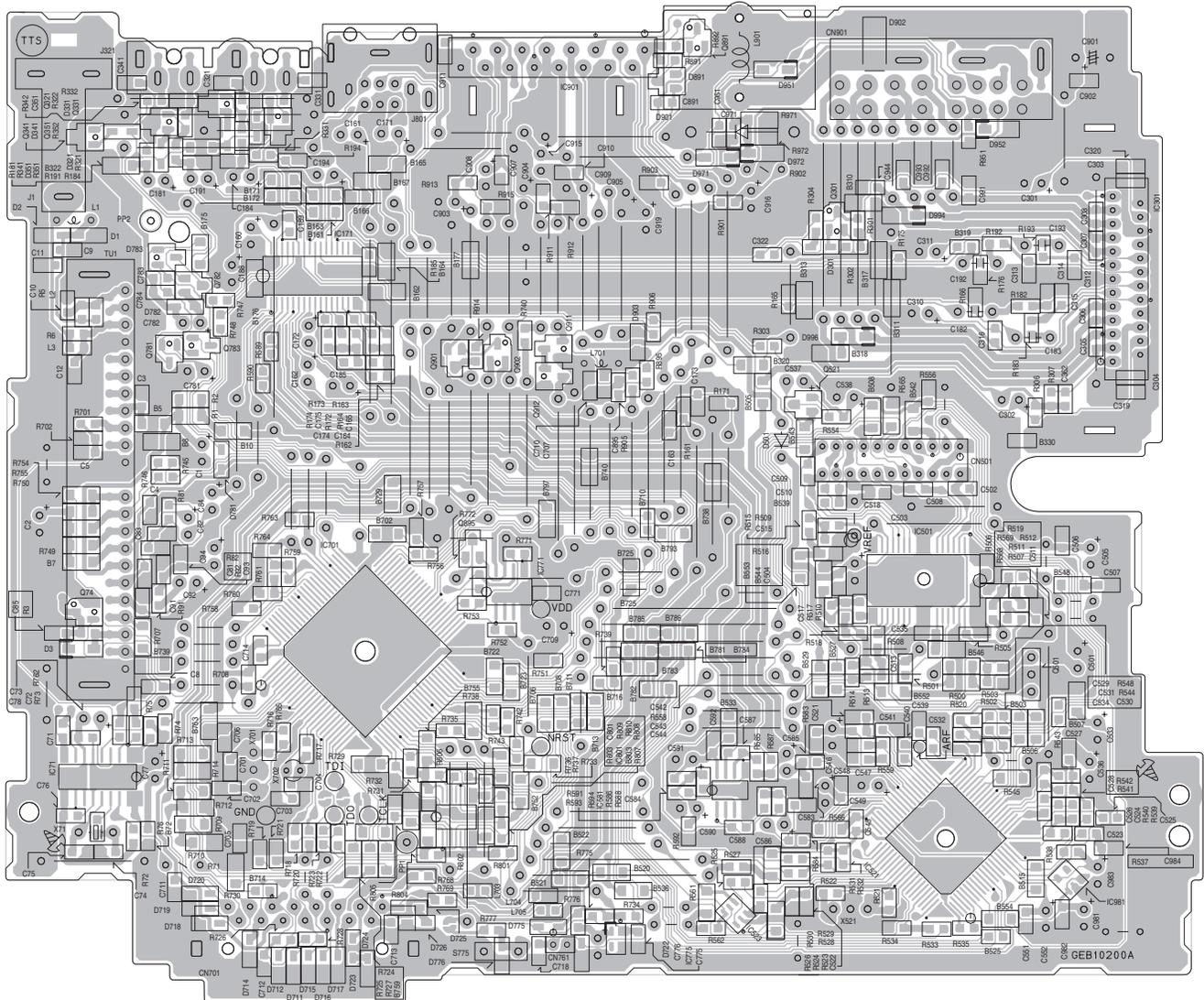
REMARKS		
REF. NAME	MODEL	
D631-D647, D650-D651	LSQ971/KL/-X	E AND EE VERSIONS U AND UI VERSIONS
		SML-310LT/MN/-X



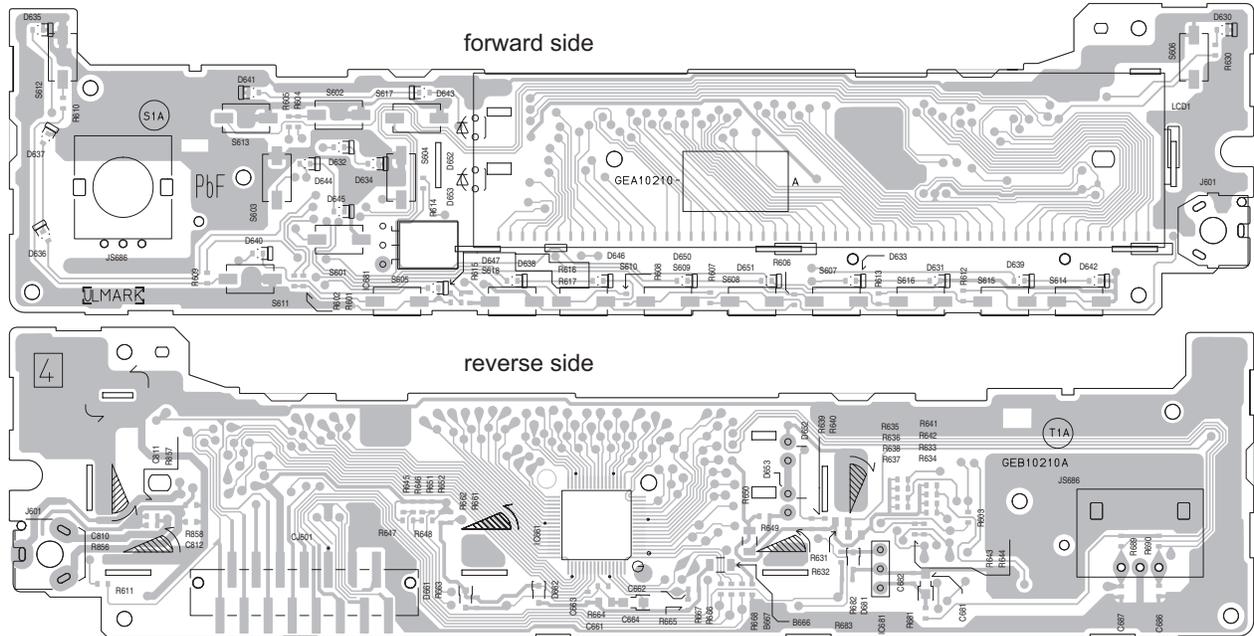
- NOTES
- VOLTAGES ARE DC-MEASURED WITH A DIGITAL VOLT METER WITHOUT INPUT SIGNAL.
 - UNLESS OTHERWISE SPECIFIED.
ALL RESISTORS ARE 1/16W ±5% METAL GLAZE RESISTOR.
ALL CAPACITORS ARE 50V OR 25V CERAMIC CAPACITOR.
ALL RESISTANCE VALUES ARE IN OHM.
ALL CAPACITANCE VALUES ARE IN UF (P=pF)
ALL E. CAPACITORS ARE SHOWN IN THE FORM OF CAPACITANCE(UF)/RATED VOLTAGE(V)
T --- TANTALUM CAPACITOR.
 - COMPONENTS IN () INDICATE NOT USE.

Printed circuit boards

■ **Main board** Lead free solder used in the board (material : Sn-Ag-Cu, melting point : 219 Centigrade)



■ **Switch board** Lead free solder used in the board (material : Sn-Ag-Cu, melting point : 219 Centigrade)



JVC

Victor Company of Japan, Limited

Mobile Entertainment Business Group Mobile Entertainment Category 10-1, 1chome, Ohwatari-machi, Maebashi-city, Gumma-ken, 371-8543, Japan

(No.MA290SCH)



Printed in Japan
VPT

PARTS LIST

KD-G431E,KD-G431EX,KD-G431EY,KD-G431EU
KD-G433UI,KD-G434UI
KD-G435U,KD-G435UN,KD-G435UT,KD-G435UH
KD-G436U,KD-G436UN,KD-G436UT,KD-G436UH
KD-G437EE,KD-G387EE

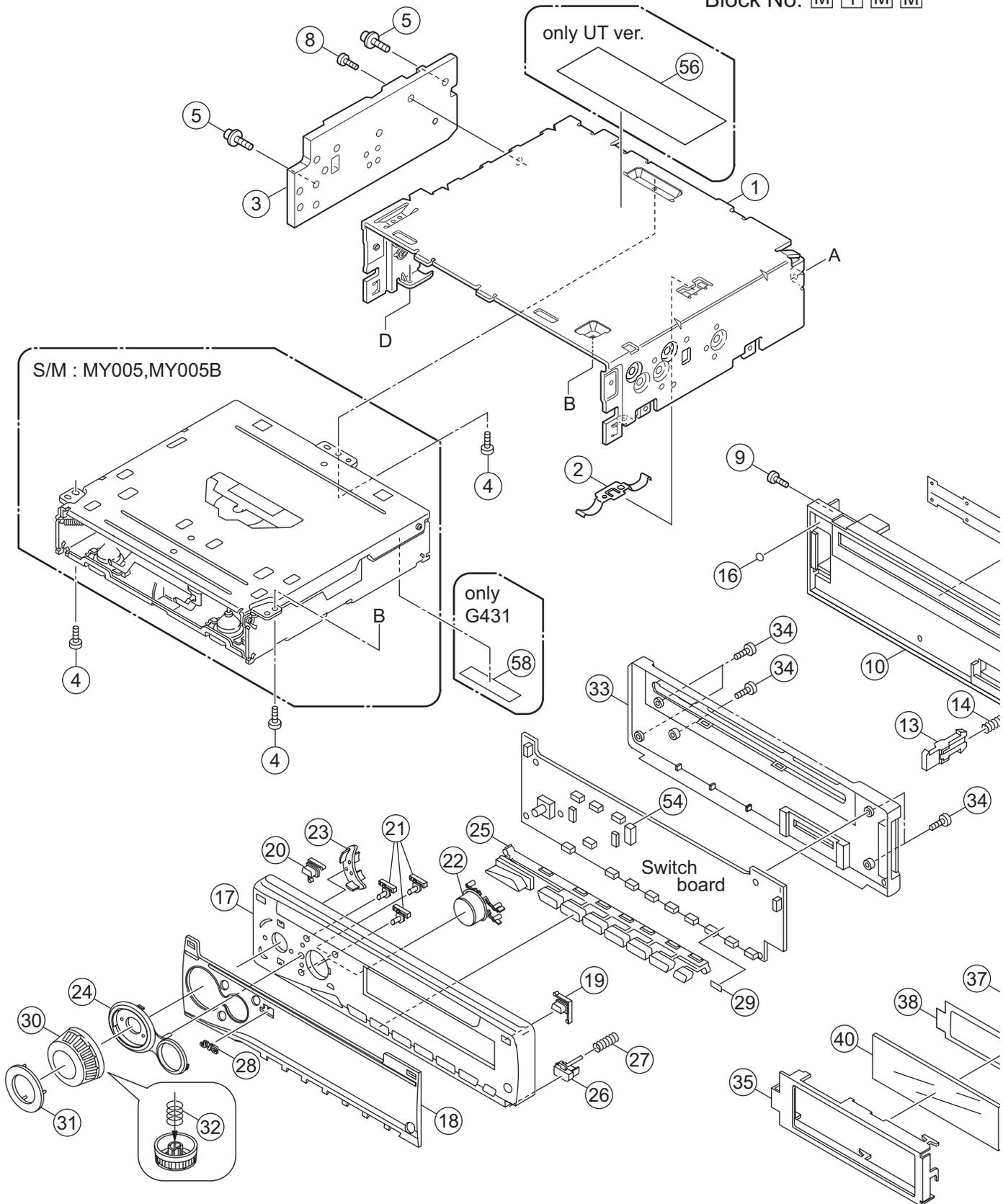
- * All printed circuit boards and its assemblies are not available as service parts.
- * Please refer to the mechanism manual (model TN2007-1010, No.MY005,MY005B) for the CD mechanism.

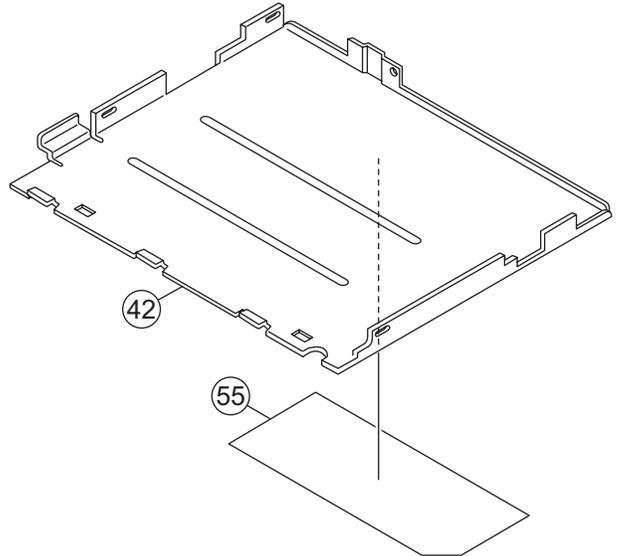
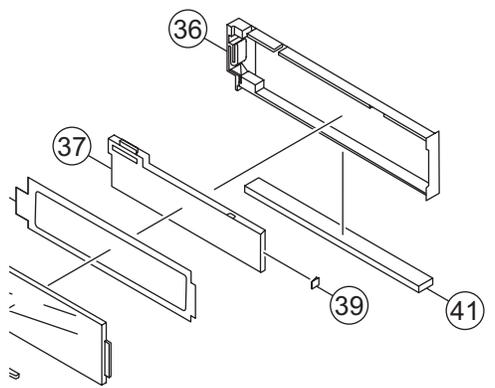
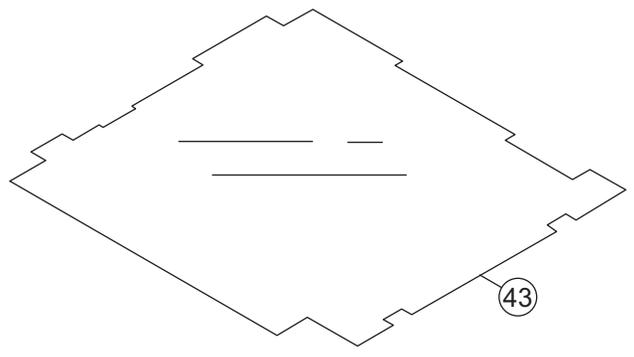
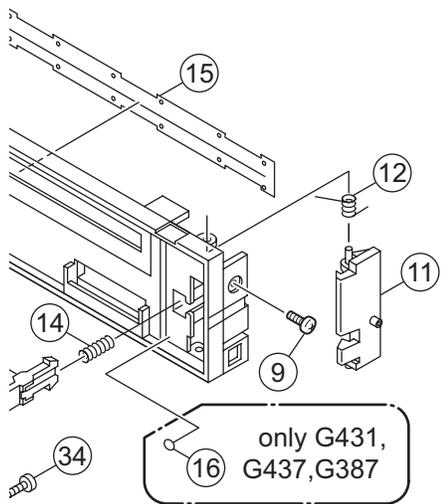
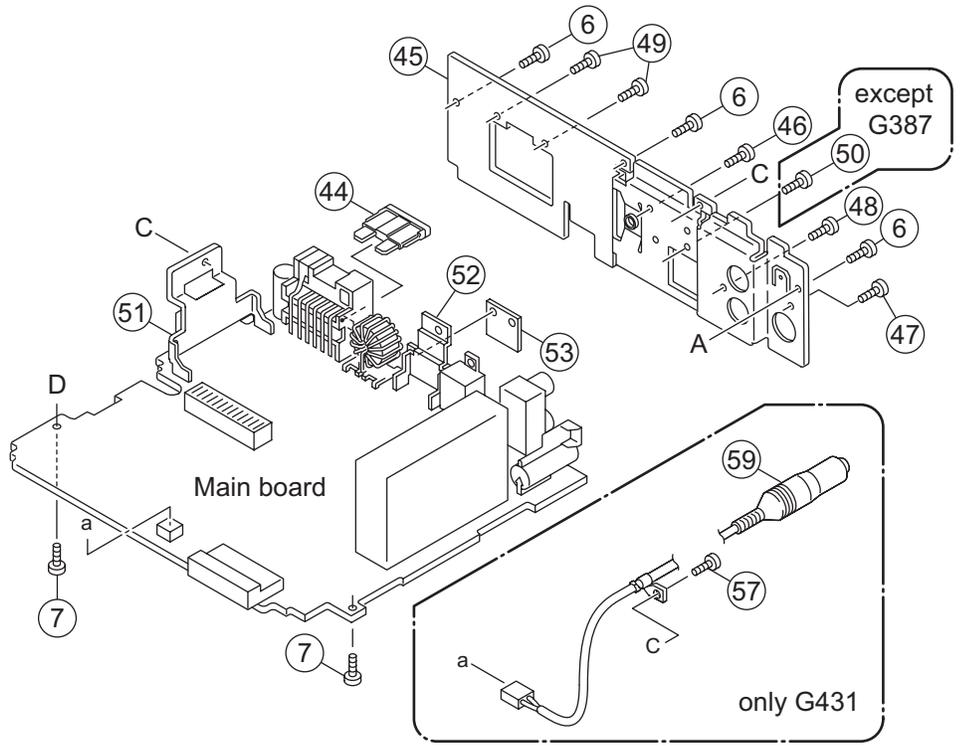
- Contents -

Exploded view of general assembly and parts list (Block No.M1)	3- 2
Electrical parts list (Block No.01~02)	3- 6
Packing materials and accessories parts list (Block No.M3)	3-18

Exploded view of general assembly and parts list

Block No. M 1 M M





General Assembly

Block No. [M][1][M][M]

△	Symbol No.	Part No.	Part Name	Description	Local
	1	GE10136-001A	TOP CHASSIS		
	2	GE40135-001A	EARTH PLATE		
	3	GE31894-001A	HEAT SINK		
	4	QYSDST2604ZA	TAP SCREW	M2.6 x 4mm(x3)	
	5	GE40377-001A	SCREW	(x2)	
	6	QYSDST2604ZA	TAP SCREW	M2.6 x 4mm(x3)	
	7	GE40377-002A	SCREW	(x2)	
	8	QYSDST2610ZA	TAP SCREW	M2.6 x 10mm	
	9	QYSDST2004ZA	TAP SCREW	M2 x 4mm(x2)	
	10	GE10137-003A	FRONT CHASSIS		
	11	GE32335-001A	LOCK LEVER		
	12	GE40269-001A	TORSION SPRING		
	13	GE31978-001A	RLS KNOB		
	14	GE30999-003A	COMP.SPRING		
	15	GE40294-002A	BLIND		
	16	FSYH4036-098	SHEET	(x2)	G431E,G431EX,G431EY,G431EU, G437EE,G387EE
	16	FSYH4036-098	SHEET		G433UI,G434UI,G435U,G435UN,G435UT, G435UH,G436U,G436UN,G436UT, G436UH
	17	GE10183-002A	FRONT PANEL		G431E,G431EX,G431EY,G431EU,G434UI, G435U,G435UN,G435UT,G435UH
	17	GE10183-004A	FRONT PANEL		G433UI,G436U,G436UN,G436UT,G436UH
	17	GE10183-001A	FRONT PANEL		G437EE,G387EE
	18	GE32475-009A	FINDER ASSY		G431E,G431EX,G431EY,G431EU
	18	GE32475-007A	FINDER ASSY		G433UI
	18	GE32475-008A	FINDER ASSY		G434UI
	18	GE32475-005A	FINDER ASSY		G435U,G435UN,G435UT,G435UH
	18	GE32475-006A	FINDER ASSY		G436U,G436UN,G436UT,G436UH
	18	GE32475-010A	FINDER ASSY		G437EE
	18	GE32475-015A	FINDER ASSY		G387EE
	19	GE32344-001A	POWER BTN		
	20	GE32346-001A	EJECT BTN		
	21	GE32342-001A	PUSH BTN	(x3)	
	22	GE32340-001A	NAVI BTN		
	23	GE32338-001A	RIM LENS		
	24	GE32339-002A	RIM COVER		G431E,G431EX,G431EY,G431EU,G434UI, G435U,G435UN,G435UT,G435UH
	24	GE32339-005A	RIM COVER		G433UI,G436U,G436UN,G436UT,G436UH, G437EE,G387EE
	25	GE20211-004A	PRESET BTN		G431E,G431EX,G431EY,G431EU,G434UI, G435U,G435UN,G435UT,G435UH
	25	GE20211-001A	PRESET BTN		G433UI,G436U,G436UN,G436UT, G436UH,G437EE,G387EE
	26	GE32345-002A	DETACH BTN		G431E,G431EX,G431EY,G431EU,G434UI, G435U,G435UN,G435UT,G435UH
	26	GE32345-004A	DETACH BTN		G433UI,G436U,G436UN,G436UT,G436UH
	26	GE32345-001A	DETACH BTN		G437EE,G387EE
	27	GE40202-017A	COMP.SPRING		
	28	GE40347-001A	JVC BADGE		
	29	FSYH4036-069	SHEET		
	30	GE32337-002A	VOL KNOB		G431E,G431EX,G431EY,G431EU,G434UI, G435U,G435UN,G435UT,G435UH
	30	GE32337-001A	VOL KNOB		G433UI,G436U,G436UN,G436UT,G436UH, G437EE,G387EE
	31	GE40370-001A	VOL TOP ASSY		
	32	GE40127-001A	KNOB SPRING		
	33	GE10184-001A	REAR COVER		
	34	VKZ4777-010	MINI SCREW	(x5)	
	35	GE32349-001A	LCD CASE		
	36	GE32348-001A	LENS CASE		
	37	GE32347-001A	LENS		
	38	GE40355-001A	LIGHTING SHEET		
	39	FSYH4036-069	SHEET		
	40	QLD0460-001	LCD MODULE		
	41	QNZ0912-001	RUBBER CONNECTO		
	42	GE31895-002A	BOTTOM COVER		
	43	GE31984-001A	INSULATOR		
△	44	QMFZ047-150-T	FUSE	15A	
	45	GE31571-007A	REAR BRACKET		G431E,G431EX,G431EY,G431EU,G433UI, G434UI,G435U,G435UN,G435UT, G435UH,G436U,G436UN,G436UT, G436UH,G437EE
	45	GE31571-005A	REAR BRACKET		G387EE
	46	QYSDST2606ZA	TAP SCREW	M2.6 x 6mm	
	47	QYSDST2606ZA	TAP SCREW	M2.6 x 6mm	

△	Symbol No.	Part No.	Part Name	Description	Local
	48	QYSDSF2606ZA	TAP SCREW	M2.6 x 6mm	
	49	QYSDSF2606ZA	TAP SCREW	M2.6 x 6mm(x2)	
	50	QYSDST2606ZA	TAP SCREW	M2.6 x 6mm	G431E,G431EX,G431EY,G431EU,G433UI, G434UI,G435U,G435UN,G435UT, G435UH,G436U,G436UN,G436UT, G436UH,G437EE
	51	GE40172-005A	IC BRACKET		
	52	GE40103-003A	REG BRACKET		
	53	GE40107-002A	HEAT SINK		
	54	GE30854-001A	LED HOLDER		
	55	GE32417-001A	NAME PLATE		G431E,G431EX,G431EY,G431EU
	55	GE32525-001A	NAME PLATE		G433UI
	55	GE32423-001A	NAME PLATE		G434UI
	55	GE32420-001A	NAME PLATE		G435U,G435UN,G435UT,G435UH
	55	GE32522-001A	NAME PLATE		G436U,G436UN,G436UT,G436UH
	55	GE32426-002A	NAME PLATE		G437EE
	55	GE32693-002A	NAME PLATE		G387EE
	56	GE31574-045A	UT LABEL		G435UT
	56	GE31574-046A	UT LABEL		G436UT
	57	QYSDST2604ZA	TAP SCREW	M2.6 x 4mm	G431E,G431EX,G431EY,G431EU
	58	FSYH4036-100	SHEET		G431E,G431EX,G431EY,G431EU
	59	QAM0958-001	STEERING REM CA		G431E,G431EX,G431EY,G431EU

Electrical parts list

Main board

Block No. [0][1]					△ Symbol No.	Part No.	Part Name	Description	Local
△ Symbol No.	Part No.	Part Name	Description	Local					
				G431 E,G43 1EX,G 431E Y,G43 1EU, G437 EE,G3 87EE					G431 E,G43 1EX,G 431E Y,G43 1EU, G433 UI,G4 34UI, G435 U,G43 5UN, G435 UT,G4 35UH, G436 U,G43 6UN, G436 UT,G4 36UH, G437 EE
IC71	LC72725KM-X	RDS IC							
IC171	BD3445FS-X	E VOLUME							
△ IC301	TB2904HQ	IC							
△ IC501	LA6242H-X	IC							
△ IC521	MN6627945EE	IC							
IC523	74LVC2G07GV-X	LOGIC IC							
IC581	NJM4565E-X	IC							
				G431 E,G43 1EX,G 431E Y,G43 1EU, G437 EE,G3 87EE	△ IC901	AN80T71	REGULATOR IC		
△ IC701	MN101C49KWR1	IC			IC981	NJU7772F15-X	IC		
				G431 E,G43 1EX,G 431E Y,G43 1EU, G437 EE,G3 87EE	Q74	RT1N141C-X	DIGI TRANSISTOR		
				G433 UI,G4 34UI, G435 U,G43 5UN, G435 UT,G4 35UH, G436 U,G43 6UN, G436 UT,G4 36UH	Q74	or UN2211-X	TRANSISTOR		
				G431 E,G43 1EX,G 431E Y,G43 1EU, G437 EE,G3 87EE	Q301	2SC3928A/QR/-X	TRANSISTOR		
				G433 UI,G4 34UI, G435 U,G43 5UN, G435 UT,G4 35UH, G436 U,G43 6UN, G436 UT,G4 36UH	Q301	or 2SD601A/QR/-X	TRANSISTOR		
				G431 E,G43 1EX,G 431E Y,G43 1EU, G437 EE,G3 87EE	Q341	RT6N430C-X	TRANSISTOR		
△ IC701	MN101C49KWP1	IC			Q351	RT6N430C-X	TRANSISTOR		
				G431 E,G43 1EX,G 431E Y,G43 1EU, G437 EE,G3 87EE	Q501	2SA1705/ST/-T	TRANSISTOR		
				G433 UI,G4 34UI, G435 U,G43 5UN, G435 UT,G4 35UH, G436 U,G43 6UN, G436 UT,G4 36UH	Q521	2SA1530A/QR/-X	TRANSISTOR		
				G431 E,G43 1EX,G 431E Y,G43 1EU, G437 EE,G3 87EE	Q521	or 2SB709A/QR/-X	TRANSISTOR		
				G431 E,G43 1EX,G 431E Y,G43 1EU, G437 EE,G3 87EE	Q781	RT1P141C-X	DIGI TRANSISTOR		
				G433 UI,G4 34UI, G435 U,G43 5UN, G435 UT,G4 35UH, G436 U,G43 6UN, G436 UT,G4 36UH	Q781	or UN2111-X	TRANSISTOR		
				G431 E,G43 1EX,G 431E Y,G43 1EU, G437 EE,G3 87EE	Q782	RT1P141C-X	DIGI TRANSISTOR		
				G431 E,G43 1EX,G 431E Y,G43 1EU, G437 EE,G3 87EE	Q782	or UN2111-X	TRANSISTOR		
				G431 E,G43 1EX,G 431E Y,G43 1EU, G437 EE,G3 87EE	Q783	RT1P141C-X	DIGI TRANSISTOR		
				G431 E,G43 1EX,G 431E Y,G43 1EU, G437 EE,G3 87EE	Q783	or UN2111-X	TRANSISTOR		
				G431 E,G43 1EX,G 431E Y,G43 1EU, G437 EE,G3 87EE					G431 E,G43 1EX,G 431E Y,G43 1EU, G437 EE,G3 87EE
IC771	S-24CS16A0I-G-X	IC			Q891	RT1N141C-X	DIGI TRANSISTOR		
				G431 E,G43 1EX,G 431E Y,G43 1EU, G437 EE,G3 87EE					G431 E,G43 1EX,G 431E Y,G43 1EU, G437 EE,G3 87EE
				G433 UI,G4 34UI, G435 U,G43 5UN, G435 UT,G4 35UH, G436 U,G43 6UN, G436 UT,G4 36UH	Q891	or UN2211-X	TRANSISTOR		
IC771	S-24CS02AFJ-G-X	IC							
				G431 E,G43 1EX,G 431E Y,G43 1EU, G437 EE,G3 87EE	Q901	RT1P141C-X	DIGI TRANSISTOR		
				G433 UI,G4 34UI, G435 U,G43 5UN, G435 UT,G4 35UH, G436 U,G43 6UN, G436 UT,G4 36UH	Q901	or UN2111-X	TRANSISTOR		
				G431 E,G43 1EX,G 431E Y,G43 1EU, G437 EE,G3 87EE	Q902	RT1N141C-X	DIGI TRANSISTOR		
				G433 UI,G4 34UI, G435 U,G43 5UN, G435 UT,G4 35UH, G436 U,G43 6UN, G436 UT,G4 36UH	Q902	or UN2211-X	TRANSISTOR		
				G431 E,G43 1EX,G 431E Y,G43 1EU, G437 EE,G3 87EE	Q911	2SA1530A/QR/-X	TRANSISTOR		
				G431 E,G43 1EX,G 431E Y,G43 1EU, G437 EE,G3 87EE	Q911	or 2SB709A/QR/-X	TRANSISTOR		
IC775	S-80833CNNB-G-W	IC			Q912	RT1N141C-X	DIGI TRANSISTOR		
IC775	or IC-PST3433U-X	IC			Q912	or UN2211-X	TRANSISTOR		
				G431 E,G43 1EX,G 431E Y,G43 1EU, G437 EE,G3 87EE	D1	1SS355W-X	DIODE		
				G433 UI,G4 34UI, G435 U,G43 5UN, G435 UT,G4 35UH, G436 U,G43 6UN, G436 UT,G4 36UH	D1	or MA111-X	SI DIODE		
				G431 E,G43 1EX,G 431E Y,G43 1EU, G437 EE,G3 87EE	D2	1SS355W-X	DIODE		
				G433 UI,G4 34UI, G435 U,G43 5UN, G435 UT,G4 35UH, G436 U,G43 6UN, G436 UT,G4 36UH	D2	or MA111-X	SI DIODE		
				G431 E,G43 1EX,G 431E Y,G43 1EU, G437 EE,G3 87EE	D301	UDZW3.3B-X	Z DIODE		
				G433 UI,G4 34UI, G435 U,G43 5UN, G435 UT,G4 35UH, G436 U,G43 6UN, G436 UT,G4 36UH	D301	or MA8033-X	Z DIODE		
				G431 E,G43 1EX,G 431E Y,G43 1EU, G437 EE,G3 87EE	D341	1SS355W-X	DIODE		
				G433 UI,G4 34UI, G435 U,G43 5UN, G435 UT,G4 35UH, G436 U,G43 6UN, G436 UT,G4 36UH	D341	or MA111-X	SI DIODE		
				G431 E,G43 1EX,G 431E Y,G43 1EU, G437 EE,G3 87EE	D351	1SS355W-X	DIODE		
				G433 UI,G4 34UI, G435 U,G43 5UN, G435 UT,G4 35UH, G436 U,G43 6UN, G436 UT,G4 36UH	D351	or MA111-X	SI DIODE		
				G431 E,G43 1EX,G 431E Y,G43 1EU, G437 EE,G3 87EE	D501	1A3G-T1	SI DIODE		

△ Symbol No.	Part No.	Part Name	Description	Local	△ Symbol No.	Part No.	Part Name	Description	Local
D722	UDZW6.2B-X	Z DIODE		G431 E,G43 1EX,G 431E Y,G43 1EU					G433 UI,G4 34UI, G435 U,G43 5UN, G435 UT,G4 35UH, G436 U,G43 6UN, G436 UT,G4 36UH
D722	or MA8062/M/-X	Z DIODE		G431 E,G43 1EX,G 431E Y,G43 1EU	D951	or MA22D23-X	SB DIODE		G433 UI,G4 34UI, G435 U,G43 5UN, G435 UT,G4 35UH, G436 U,G43 6UN, G436 UT,G4 36UH
D723	UDZW6.2B-X	Z DIODE							
D723	or MA8062/M/-X	Z DIODE							
D724	UDZW6.2B-X	Z DIODE							
D724	or MA8062/M/-X	Z DIODE							
D725	UDZW6.2B-X	Z DIODE							
D725	or MA8062/M/-X	Z DIODE							
D726	UDZW6.2B-X	Z DIODE							
D726	or MA8062/M/-X	Z DIODE							
D775	1SS355W-X	DIODE			D952	RB160M-30-X	SB DIODE		G433 UI,G4 34UI, G435 U,G43 5UN, G435 UT,G4 35UH, G436 U,G43 6UN, G436 UT,G4 36UH
D775	or MA111-X	SI DIODE							
D776	UDZW5.6B-X	Z DIODE							
D776	or MA8056/M/-X	Z DIODE							
D781	1SS355W-X	DIODE							
D781	or MA111-X	SI DIODE							
D782	UDZW11B-X	Z DIODE							
D782	or MA8110/M/-X	Z DIODE							
D783	MC2836-X	DIODE							
D783	or MA152WA-X	DIODE							
D891	MC2836-X	DIODE		G431 E,G43 1EX,G 431E Y,G43 1EU, G437 EE,G3 87EE	D952	or CRS03-W	SB DIODE		G433 UI,G4 34UI, G435 U,G43 5UN, G435 UT,G4 35UH, G436 U,G43 6UN, G436 UT,G4 36UH
D891	or MA152WA-X	DIODE		G431 E,G43 1EX,G 431E Y,G43 1EU, G437 EE,G3 87EE					G433 UI,G4 34UI, G435 U,G43 5UN, G435 UT,G4 35UH, G436 U,G43 6UN, G436 UT,G4 36UH
△ D901	1N5401-F64	SI DIODE							
△ D901	or 1N5401-TU-15	SI DIODE			D952	or MA22D23-X	SB DIODE		G433 UI,G4 34UI, G435 U,G43 5UN, G435 UT,G4 35UH, G436 U,G43 6UN, G436 UT,G4 36UH
D902	GS1J-X	DIODE							
D903	1SS355W-X	DIODE							
D903	or MA111-X	SI DIODE							
D951	RB160M-30-X	SB DIODE		G433 UI,G4 34UI, G435 U,G43 5UN, G435 UT,G4 35UH, G436 U,G43 6UN, G436 UT,G4 36UH	D971	CRS03-W	SB DIODE		
					D971	or RB160M-30-X	SB DIODE		
					D971	or MA22D23-X	SB DIODE		
					D972	CRS03-W	SB DIODE		
					D972	or RB160M-30-X	SB DIODE		
					D972	or MA22D23-X	SB DIODE		
					D994	CRS03-W	SB DIODE		
					D994	or RB160M-30-X	SB DIODE		
					D994	or MA22D23-X	SB DIODE		
					D996	CRS03-W	SB DIODE		
					D996	or RB160M-30-X	SB DIODE		
					D996	or MA22D23-X	SB DIODE		
D951	or CRS03-W	SB DIODE		G433 UI,G4 34UI, G435 U,G43 5UN, G435 UT,G4 35UH, G436 U,G43 6UN, G436 UT,G4 36UH	C1	QEKJ1AM-227Z	E CAPACITOR	220uF 10V M	
					C2	QEKJ0JM-476Z	E CAPACITOR	47uF 6.3V M	
					C3	NCB31EK-104X	C CAPACITOR	0.1uF 25V K	
					C4	NCB31EK-104X	C CAPACITOR	0.1uF 25V K	
					C5	NCB31EK-104X	C CAPACITOR	0.1uF 25V K	
					C8	NCB31EK-104X	C CAPACITOR	0.1uF 25V K	

△ Symbol No.	Part No.	Part Name	Description	Local	△ Symbol No.	Part No.	Part Name	Description	Local
C71	NDC31HJ-561X	C CAPACITOR	560pF 50V J	G431 E,G43 1EX,G 431E Y,G43 1EU, G437 EE,G3 87EE					G431 E,G43 1EX,G 431E Y,G43 1EU, G433 UI,G4 34UI, G435 U,G43
C72	NDC31HJ-331X	C CAPACITOR	330pF 50V J	G431 E,G43 1EX,G 431E Y,G43 1EU, G437 EE,G3 87EE	C161	QEKJ1HM-105Z	E CAPACITOR	1uF 50V M	5UN, G435 UT,G4 35UH, G436 U,G43 6UN, G436 UT,G4 36UH, G437 EE
C73	QEKJ1CM-106Z	E CAPACITOR	10uF 16V M	G431 E,G43 1EX,G 431E Y,G43 1EU, G437 EE,G3 87EE	C162	QEKJ1HM-105Z	E CAPACITOR	1uF 50V M	
					C163	NCB31HK-103X	C CAPACITOR	0.01uF 50V K	
					C164	NCB31AK-224X	C CAPACITOR	0.22uF 10V K	
					C165	NCB31AK-224X	C CAPACITOR	0.22uF 10V K	
C74	NDC31HJ-330X	C CAPACITOR	20pF 50V J	G431 E,G43 1EX,G 431E Y,G43 1EU, G437 EE,G3 87EE					G431 E,G43 1EX,G 431E Y,G43 1EU, G433 UI,G4 34UI, G435 U,G43
C75	NDC31HJ-330X	C CAPACITOR	20pF 50V J	G431 E,G43 1EX,G 431E Y,G43 1EU, G437 EE,G3 87EE	C171	QEKJ1HM-105Z	E CAPACITOR	1uF 50V M	5UN, G435 UT,G4 35UH, G436 U,G43 6UN, G436 UT,G4 36UH, G437 EE
C76	NCB31HK-103X	C CAPACITOR	0.01uF 50V K	G431 E,G43 1EX,G 431E Y,G43 1EU, G437 EE,G3 87EE	C172	QEKJ1HM-105Z	E CAPACITOR	1uF 50V M	
					C173	NCB31HK-103X	C CAPACITOR	0.01uF 50V K	
					C174	NCB31AK-224X	C CAPACITOR	0.22uF 10V K	
					C175	NCB31AK-224X	C CAPACITOR	0.22uF 10V K	
					C181	QEKJ1EM-475Z	E CAPACITOR	4.7uF 25V M	
					C182	QFV91HJ-474Z	MF CAPACITOR	0.47uF 50V J	
					C183	QFV91HJ-474Z	MF CAPACITOR	0.47uF 50V J	
C77	QEKJ0JM-476Z	E CAPACITOR	47uF 6.3V M	G431 E,G43 1EX,G 431E Y,G43 1EU, G437 EE,G3 87EE	C185	QEKJ1HM-105Z	E CAPACITOR	1uF 50V M	
					C188	QTE1A57-107Z	E CAPACITOR	100uF 10V	
					C189	NCB31HK-103X	C CAPACITOR	0.01uF 50V K	
					C191	QEKJ1EM-475Z	E CAPACITOR	4.7uF 25V M	
					C192	QFV91HJ-474Z	MF CAPACITOR	0.47uF 50V J	
					C193	QFV91HJ-474Z	MF CAPACITOR	0.47uF 50V J	
					C301	QEKJ1HM-224Z	E CAPACITOR	0.22uF 50V M	
C78	NCB31HK-103X	C CAPACITOR	0.01uF 50V K	G431 E,G43 1EX,G 431E Y,G43 1EU, G437 EE,G3 87EE	C302	QEKJ1EM-475Z	E CAPACITOR	4.7uF 25V M	
					C303	NCB31HK-223X	C CAPACITOR	0.022uF 50V K	
					C304	NCB31HK-223X	C CAPACITOR	0.022uF 50V K	
					C305	NCB31EK-472X	C CAPACITOR	4700pF 25V K	
					C306	NCB31EK-472X	C CAPACITOR	4700pF 25V K	
					C307	NCB31EK-472X	C CAPACITOR	4700pF 25V K	
C82	QTE1H57-105Z	E CAPACITOR	1uF 50V		C308	NCB31EK-472X	C CAPACITOR	4700pF 25V K	
C84	QTE1H57-105Z	E CAPACITOR	1uF 50V		C310	QTE1H57-105Z	E CAPACITOR	1uF 50V	
C85	NCB31AK-224X	C CAPACITOR	0.22uF 10V K		C311	QEKJ1HM-225Z	E CAPACITOR	2.2uF 50V M	
C92	QTE1H57-105Z	E CAPACITOR	1uF 50V		C312	NDC31HJ-101X	C CAPACITOR	100pF 50V J	
C94	QTE1H57-105Z	E CAPACITOR	1uF 50V		C313	NDC31HJ-101X	C CAPACITOR	100pF 50V J	
C160	QTE1C57-106Z	E CAPACITOR	10uF 16V		C314	NDC31HJ-101X	C CAPACITOR	100pF 50V J	
					C315	NDC31HJ-101X	C CAPACITOR	100pF 50V J	
					C501	QEKJ0JM-227Z	E CAPACITOR	220uF 6.3V M	
					C503	QEKJ1AM-227Z	E CAPACITOR	220uF 10V M	
					C504	NCB31EK-104X	C CAPACITOR	0.1uF 25V K	
					C506	NCB31HK-103X	C CAPACITOR	0.01uF 50V K	
					C511	NCB31HK-222X	C CAPACITOR	2200pF 50V K	
					C513	NCB31HK-682X	C CAPACITOR	6800pF 50V K	

△ Symbol No.	Part No.	Part Name	Description	Local	△ Symbol No.	Part No.	Part Name	Description	Local
C515	NCB31HK-122X	C CAPACITOR	1200pF 50V K						G431
C517	NCB31HK-182X	C CAPACITOR	1800pF 50V K						E,G43
C518	NDC31HJ-680X	C CAPACITOR	68pF 50V J						1EX,G
C521	NCB31EK-104X	C CAPACITOR	0.1uF 25V K						431E
C522	NCB31CK-224X	C CAPACITOR	0.22uF 16V K						Y,G43
C523	NDC31HJ-101X	C CAPACITOR	100pF 50V J						1EU,
C524	NDC31HJ-561X	C CAPACITOR	560pF 50V J						G433
C525	NCB31HK-223X	C CAPACITOR	0.022uF 50V K						UI,G4
C526	NCB31HK-223X	C CAPACITOR	0.022uF 50V K						34UI,
C527	NCB31EK-332X	C CAPACITOR	3300pF 25V K						G435
C528	NDC31HJ-181X	C CAPACITOR	180pF 50V J		C801	NCB31EK-473X	C CAPACITOR	0.047uF 25V K	U,G43
C529	NCB31HK-103X	C CAPACITOR	0.01uF 50V K						5UN,
C530	NCB31HK-103X	C CAPACITOR	0.01uF 50V K						G435
C531	NCB31AK-334X	C CAPACITOR	0.33uF 10V K						UT,G4
C532	NCB31AK-334X	C CAPACITOR	0.33uF 10V K						G436
C533	QEKJ0JM-476Z	E CAPACITOR	47uF 6.3V M						U,G43
C534	NCB31EK-332X	C CAPACITOR	3300pF 25V K						6UN,
C535	NCB31EK-104X	C CAPACITOR	0.1uF 25V K						G436
C536	QEKJ0JM-476Z	E CAPACITOR	47uF 6.3V M						UT,G4
C537	QEKJ0JM-476Z	E CAPACITOR	47uF 6.3V M						36UH,
C538	QEKJ0JM-476Z	E CAPACITOR	47uF 6.3V M						G437
C539	NCB31EK-104X	C CAPACITOR	0.1uF 25V K						EE
C540	NCS31HJ-681X	C CAPACITOR	680pF 50V J						G431
C541	NCB31EK-153X	C CAPACITOR	0.015uF 25V K						E,G43
C542	NCB31EK-104X	C CAPACITOR	0.1uF 25V K		C891	NCB31EK-104X	C CAPACITOR	0.1uF 25V K	1EX,G
C543	NCB31HK-102X	C CAPACITOR	1000pF 50V K						431E
C544	NCB31EK-823X	C CAPACITOR	0.082uF 25V K						Y,G43
C545	NCB31EK-104X	C CAPACITOR	0.1uF 25V K						1EU,
C546	QEKJ0JM-227Z	E CAPACITOR	220uF 6.3V M						G437
C547	QTE0J57-476Z	E CAPACITOR	47uF 6.3V		C901	QEZ0769-278	E CAPACITOR	2700uF	87EE
C548	QTE0J57-476Z	E CAPACITOR	47uF 6.3V		C902	NCB31HK-103X	C CAPACITOR	0.01uF 50V K	
C549	NCB31EK-104X	C CAPACITOR	0.1uF 25V K		C903	QEKJ1CM-226Z	E CAPACITOR	22uF 16V M	
C551	NCB31EK-104X	C CAPACITOR	0.1uF 25V K		C904	QEKJ1CM-226Z	E CAPACITOR	22uF 16V M	
C552	QEKJ0JM-476Z	E CAPACITOR	47uF 6.3V M		C905	QEKJ1CM-226Z	E CAPACITOR	22uF 16V M	
C583	NDC31HJ-821X	C CAPACITOR	820pF 50V J		C907	NCB31HK-103X	C CAPACITOR	0.01uF 50V K	
C584	NDC31HJ-821X	C CAPACITOR	820pF 50V J		C908	QEKJ1AM-107Z	E CAPACITOR	100uF 10V M	
C585	QTE1H54-225Z	E CAPACITOR	2.2uF 50V		C909	QEKJ1AM-107Z	E CAPACITOR	100uF 10V M	
C586	QTE1H54-225Z	E CAPACITOR	2.2uF 50V		C910	NCB31HK-103X	C CAPACITOR	0.01uF 50V K	
C587	NDC31HJ-151X	C CAPACITOR	150pF 50V J		C911	NCB31EK-104X	C CAPACITOR	0.1uF 25V K	
C588	NDC31HJ-151X	C CAPACITOR	150pF 50V J		C915	QEKJ1CM-106Z	E CAPACITOR	10uF 16V M	
C590	QTE0J57-476Z	E CAPACITOR	47uF 6.3V		C916	QEKJ1HM-225Z	E CAPACITOR	2.2uF 50V M	
C591	QTE1A57-107Z	E CAPACITOR	100uF 10V		C919	QEKJ0JM-107Z	E CAPACITOR	100uF 6.3V M	
C592	NCB31EK-104X	C CAPACITOR	0.1uF 25V K						G433
C703	NDC31HJ-270X	C CAPACITOR	27pF 50V J						UI,G4
C704	NDC31HJ-270X	C CAPACITOR	27pF 50V J						34UI,
C705	NCB31EK-104X	C CAPACITOR	0.1uF 25V K						G435
C706	NCB31EK-104X	C CAPACITOR	0.1uF 25V K						U,G43
C707	NDC31HJ-470X	C CAPACITOR	47pF 50V J						5UN,
C708	QEKJ0JM-227Z	E CAPACITOR	220uF 6.3V M						G435
C709	QEKJ0JM-227Z	E CAPACITOR	220uF 6.3V M		C951	NCB31EK-104X	C CAPACITOR	0.1uF 25V K	UT,G4
C710	NCB31EK-104X	C CAPACITOR	0.1uF 25V K						35UH,
C711	NCB31EK-104X	C CAPACITOR	0.1uF 25V K						G436
C712	NCB31EK-104X	C CAPACITOR	0.1uF 25V K						U,G43
C713	NCB31EK-104X	C CAPACITOR	0.1uF 25V K						6UN,
C714	NCB31EK-104X	C CAPACITOR	0.1uF 25V K						G436
									UT,G4
									36UH
				G431	C971	NCB31EK-104X	C CAPACITOR	0.1uF 25V K	
				E,G43	C982	NCB31EK-104X	C CAPACITOR	0.1uF 25V K	
				1EX,G	C983	QEKJ0JM-107Z	E CAPACITOR	100uF 6.3V M	
				431E	C984	NCB31EK-104X	C CAPACITOR	0.1uF 25V K	
				Y,G43					
				1EU	R1	NRS181J-8R2X	MG RESISTOR	8.2Ω 1/8W J	
C718	NDC31HJ-101X	C CAPACITOR	100pF 50V J		R2	NRS181J-8R2X	MG RESISTOR	8.2Ω 1/8W J	
					R3	NRSA63J-332X	MG RESISTOR	3.3kΩ 1/16W J	
					R5	NRSA63J-0R0X	MG RESISTOR	0Ω 1/16W J	
					R6	NRSA63J-0R0X	MG RESISTOR	0Ω 1/16W J	
C771	NCB31EK-473X	C CAPACITOR	0.047uF 25V K						
C775	NCB31HK-103X	C CAPACITOR	0.01uF 50V K						
C776	QEKJ0JM-476Z	E CAPACITOR	47uF 6.3V M						
C781	QEKJ0JM-227Z	E CAPACITOR	220uF 6.3V M						
C782	QEKJ1CM-476Z	E CAPACITOR	47uF 16V M						
									G431
									E,G43
									1EX,G
									431E
									Y,G43
									1EU,
									G437
									EE,G3
									87EE
					R71	QRE141J-222Y	C RESISTOR	2.2kΩ 1/4W J	

△ Symbol No.	Part No.	Part Name	Description	Local	△ Symbol No.	Part No.	Part Name	Description	Local
				G431	R522	NRSA63J-221X	MG RESISTOR	220Ω 1/16W J	
				E,G43	R523	NRSA63J-472X	MG RESISTOR	4.7kΩ 1/16W J	
				1EX,G	R524	NRS181J-222X	MG RESISTOR	2.2kΩ 1/8W J	
				431E	R525	NRSA63J-102X	MG RESISTOR	1kΩ 1/16W J	
R72	NRSA63J-0R0X	MG RESISTOR	0Ω 1/16W J	Y,G43	R526	NRSA63J-102X	MG RESISTOR	1kΩ 1/16W J	
				1EU,	R527	NRSA63J-222X	MG RESISTOR	2.2kΩ 1/16W J	
				G437	R528	NRSA63J-222X	MG RESISTOR	2.2kΩ 1/16W J	
				EE,G3	R529	NRSA63J-222X	MG RESISTOR	2.2kΩ 1/16W J	
				87EE	R530	NRS181J-472X	MG RESISTOR	4.7kΩ 1/8W J	
				G431	R531	NRSA63J-472X	MG RESISTOR	4.7kΩ 1/16W J	
				E,G43	R532	NRSA63J-472X	MG RESISTOR	4.7kΩ 1/16W J	
R73	NRSA63J-222X	MG RESISTOR	2.2kΩ 1/16W J	1EX,G	R533	NRSA63J-273X	MG RESISTOR	27kΩ 1/16W J	
				431E	R534	NRSA63J-683X	MG RESISTOR	68kΩ 1/16W J	
				Y,G43	R535	NRSA63J-103X	MG RESISTOR	10kΩ 1/16W J	
				1EU,	R537	NRSA63J-155X	MG RESISTOR	1.5MΩ 1/16W J	
				G437	R538	NRSA63J-0R0X	MG RESISTOR	0Ω 1/16W J	
				EE,G3	R539	NRSA63J-0R0X	MG RESISTOR	0Ω 1/16W J	
				87EE	R540	NRSA63J-303X	MG RESISTOR	30kΩ 1/16W J	
				G431	R541	NRSA63J-393X	MG RESISTOR	39kΩ 1/16W J	
				E,G43	R542	NRSA63J-472X	MG RESISTOR	4.7kΩ 1/16W J	
R74	NRSA02J-101X	MG RESISTOR	100Ω 1/10W J	1EX,G	R543	NRSA63J-102X	MG RESISTOR	1kΩ 1/16W J	
				431E	R544	NRSA63J-102X	MG RESISTOR	1kΩ 1/16W J	
				Y,G43	R545	NRS181J-332X	MG RESISTOR	3.3kΩ 1/8W J	
				1EU,	R548	NRSA63J-332X	MG RESISTOR	3.3kΩ 1/16W J	
				G437	R554	NRSA63J-4R7X	MG RESISTOR	4.7Ω 1/16W J	
				EE,G3	R556	NRSA63J-473X	MG RESISTOR	47kΩ 1/16W J	
				87EE	R558	NRSA63J-823X	MG RESISTOR	82kΩ 1/16W J	
				G431	R559	NRSA63J-821X	MG RESISTOR	820Ω 1/16W J	
				E,G43	R561	NRS181J-102X	MG RESISTOR	1kΩ 1/8W J	
R76	NRSA63J-0R0X	MG RESISTOR	0Ω 1/16W J	1EX,G	R562	NRSA63J-102X	MG RESISTOR	1kΩ 1/16W J	
				431E	R565	NRS181J-151X	MG RESISTOR	150Ω 1/8W J	
				Y,G43	R566	NRS181J-100X	MG RESISTOR	10Ω 1/8W J	
				1EU,	R568	NRSA63J-752X	MG RESISTOR	7.5kΩ 1/16W J	
				G437	R569	NRSA63J-113X	MG RESISTOR	11kΩ 1/16W J	
				EE,G3	R583	NRSA63J-153X	MG RESISTOR	15kΩ 1/16W J	
				87EE	R584	NRSA63J-153X	MG RESISTOR	15kΩ 1/16W J	
R81	NRSA63J-153X	MG RESISTOR	15kΩ 1/16W J		R585	NRSA63J-562X	MG RESISTOR	5.6kΩ 1/16W J	
R82	NRSA63J-682X	MG RESISTOR	6.8kΩ 1/16W J		R586	NRSA63J-562X	MG RESISTOR	5.6kΩ 1/16W J	
R91	NRSA63J-153X	MG RESISTOR	15kΩ 1/16W J		R587	NRSA63J-273X	MG RESISTOR	27kΩ 1/16W J	
R92	NRSA63J-682X	MG RESISTOR	6.8kΩ 1/16W J		R588	NRSA63J-273X	MG RESISTOR	27kΩ 1/16W J	
R161	NRSA63J-104X	MG RESISTOR	100kΩ 1/16W J		R589	NRSA63J-0R0X	MG RESISTOR	0Ω 1/16W J	
R162	NRSA63J-472X	MG RESISTOR	4.7kΩ 1/16W J		R590	NRSA63J-0R0X	MG RESISTOR	0Ω 1/16W J	
R163	NRSA63J-153X	MG RESISTOR	15kΩ 1/16W J		R591	NRSA63J-103X	MG RESISTOR	10kΩ 1/16W J	
R164	NRSA63J-822X	MG RESISTOR	8.2kΩ 1/16W J		R592	NRSA63J-103X	MG RESISTOR	10kΩ 1/16W J	
R171	NRSA63J-104X	MG RESISTOR	100kΩ 1/16W J		R593	NRSA63J-223X	MG RESISTOR	22kΩ 1/16W J	
R172	NRSA63J-472X	MG RESISTOR	4.7kΩ 1/16W J		R594	NRSA63J-223X	MG RESISTOR	22kΩ 1/16W J	
R173	NRSA63J-153X	MG RESISTOR	15kΩ 1/16W J		R701	NRSA63J-102X	MG RESISTOR	1kΩ 1/16W J	
R174	NRSA63J-822X	MG RESISTOR	8.2kΩ 1/16W J		R707	NRS181J-102X	MG RESISTOR	1kΩ 1/8W J	
R181	NRS181J-473X	MG RESISTOR	47kΩ 1/8W J		R709	NRS181J-103X	MG RESISTOR	10kΩ 1/8W J	
R185	NRSA63J-333X	MG RESISTOR	33kΩ 1/16W J		R710	NRS181J-472X	MG RESISTOR	4.7kΩ 1/8W J	
R191	NRSA63J-473X	MG RESISTOR	47kΩ 1/16W J		R711	NRS181J-103X	MG RESISTOR	10kΩ 1/8W J	
R301	NRSA63J-102X	MG RESISTOR	1kΩ 1/16W J		R712	NRS181J-472X	MG RESISTOR	4.7kΩ 1/8W J	
R302	NRSA63J-473X	MG RESISTOR	47kΩ 1/16W J		R713	NRS181J-103X	MG RESISTOR	10kΩ 1/8W J	
R303	NRSA63J-102X	MG RESISTOR	1kΩ 1/16W J		R714	NRS181J-472X	MG RESISTOR	4.7kΩ 1/8W J	
R304	NRSA63J-472X	MG RESISTOR	4.7kΩ 1/16W J		R716	NRSA63J-0R0X	MG RESISTOR	0Ω 1/16W J	
R306	NRSA63J-273X	MG RESISTOR	27kΩ 1/16W J		R717	NRSA63J-0R0X	MG RESISTOR	0Ω 1/16W J	
R307	NRSA63J-0R0X	MG RESISTOR	0Ω 1/16W J		R718	NRSA63J-222X	MG RESISTOR	2.2kΩ 1/16W J	
R341	NRSA63J-821X	MG RESISTOR	820Ω 1/16W J		R720	NRSA63J-222X	MG RESISTOR	2.2kΩ 1/16W J	
R342	NRSA63J-101X	MG RESISTOR	100Ω 1/16W J						
R351	NRSA63J-821X	MG RESISTOR	820Ω 1/16W J						
R352	NRSA63J-101X	MG RESISTOR	100Ω 1/16W J						
R500	NRS181J-220X	MG RESISTOR	22Ω 1/8W J						
R501	NRSA63J-822X	MG RESISTOR	8.2kΩ 1/16W J						G431
R502	NRSA63J-822X	MG RESISTOR	8.2kΩ 1/16W J						E,G43
R503	NRSA63J-512X	MG RESISTOR	5.1kΩ 1/16W J						1EX,G
R505	NRSA63J-113X	MG RESISTOR	11kΩ 1/16W J						431E
R506	NRSA63J-303X	MG RESISTOR	30kΩ 1/16W J						Y,G43
R507	NRSA63J-153X	MG RESISTOR	15kΩ 1/16W J						1EU,
R508	NRSA63J-332X	MG RESISTOR	3.3kΩ 1/16W J						G433
R509	NRSA63J-104X	MG RESISTOR	100kΩ 1/16W J						U,G4
R510	NRSA63J-273X	MG RESISTOR	27kΩ 1/16W J						34U,
R511	NRSA63J-153X	MG RESISTOR	15kΩ 1/16W J						G435
R512	NRSA63J-562X	MG RESISTOR	5.6kΩ 1/16W J		R722	NRSA63J-103X	MG RESISTOR	10kΩ 1/16W J	
R513	NRSA63J-103X	MG RESISTOR	10kΩ 1/16W J						5U,
R514	NRSA63J-562X	MG RESISTOR	5.6kΩ 1/16W J						G435
R515	NRSA63J-153X	MG RESISTOR	15kΩ 1/16W J						UT,G4
R516	NRSA63J-102X	MG RESISTOR	1kΩ 1/16W J						35UH,
R517	NRSA63J-153X	MG RESISTOR	15kΩ 1/16W J						G436
R518	NRSA63J-562X	MG RESISTOR	5.6kΩ 1/16W J						U,G43
R519	NRSA63J-473X	MG RESISTOR	47kΩ 1/16W J						6U,
R520	NRS181J-220X	MG RESISTOR	22Ω 1/8W J						G436
R521	NRSA63J-105X	MG RESISTOR	1MΩ 1/16W J						UT,G4

Symbol No.	Part No.	Part Name	Description	Local	Symbol No.	Part No.	Part Name	Description	Local
R802	NRSA63J-473X	MG RESISTOR	47kΩ 1/16W J	G431 E,G43 1EX,G 431E Y,G43 1EU, G433 UI,G4 34UI, G435 U,G43 5UN, G435 UT,G4 35UH, G436 U,G43 6UN, G436 UT,G4 36UH, G437 EE	R805	NRSA63J-104X	MG RESISTOR	100kΩ 1/16W J	G431 E,G43 1EX,G 431E Y,G43 1EU, G433 UI,G4 34UI, G435 U,G43 5UN, G435 UT,G4 35UH, G436 U,G43 6UN, G436 UT,G4 36UH, G437 EE
R802	NRSA63J-0R0X	MG RESISTOR	0Ω 1/16W J	G387 EE G431 E,G43 1EX,G 431E Y,G43 1EU, G433 UI,G4 34UI, G435 U,G43 5UN, G435 UT,G4 35UH, G436 U,G43 6UN, G436 UT,G4 36UH, G437 EE	R805	NRSA63J-0R0X	MG RESISTOR	0Ω 1/16W J	G387 EE G431 E,G43 1EX,G 431E Y,G43 1EU, G433 UI,G4 34UI, G435 U,G43 5UN, G435 UT,G4 35UH, G436 U,G43 6UN, G436 UT,G4 36UH, G437 EE
R803	NRS181J-101X	MG RESISTOR	100Ω 1/8W J	G431 E,G43 1EX,G 431E Y,G43 1EU, G433 UI,G4 34UI, G435 U,G43 5UN, G435 UT,G4 35UH, G436 U,G43 6UN, G436 UT,G4 36UH, G437 EE	R806	NRSA63J-103X	MG RESISTOR	10kΩ 1/16W J	G431 E,G43 1EX,G 431E Y,G43 1EU, G433 UI,G4 34UI, G435 U,G43 5UN, G435 UT,G4 35UH, G436 U,G43 6UN, G436 UT,G4 36UH, G437 EE
R804	NRS181J-223X	MG RESISTOR	22kΩ 1/8W J	G431 E,G43 1EX,G 431E Y,G43 1EU, G433 UI,G4 34UI, G435 U,G43 5UN, G435 UT,G4 35UH, G436 U,G43 6UN, G436 UT,G4 36UH, G437 EE	R807	NRSA63J-104X	MG RESISTOR	100kΩ 1/16W J	G431 E,G43 1EX,G 431E Y,G43 1EU, G433 UI,G4 34UI, G435 U,G43 5UN, G435 UT,G4 35UH, G436 U,G43 6UN, G436 UT,G4 36UH, G437 EE
R804	NRS181J-203X	MG RESISTOR	20kΩ 1/8W J	G387 EE G431 E,G43 1EX,G 431E Y,G43 1EU, G433 UI,G4 34UI, G435 U,G43 5UN, G435 UT,G4 35UH, G436 U,G43 6UN, G436 UT,G4 36UH, G437 EE	R807	NRSA63J-203X	MG RESISTOR	20kΩ 1/16W J	G387 EE G431 E,G43 1EX,G 431E Y,G43 1EU, G433 UI,G4 34UI, G435 U,G43 5UN, G435 UT,G4 35UH, G436 U,G43 6UN, G436 UT,G4 36UH, G437 EE

△ Symbol No.	Part No.	Part Name	Description	Local	△ Symbol No.	Part No.	Part Name	Description	Local
R808	NRSA63J-331X	MG RESISTOR	330Ω 1/16W J	G431	R902	QRE141J-102Y	C RESISTOR	1kΩ 1/4W J	
				E,G43	R903	NRSA63J-472X	MG RESISTOR	4.7kΩ 1/16W J	
				1EX,G	R905	NRSA63J-102X	MG RESISTOR	1kΩ 1/16W J	
				431E	R906	NRSA63J-102X	MG RESISTOR	1kΩ 1/16W J	
				Y,G43	R911	NRSA02J-123X	MG RESISTOR	12kΩ 1/10W J	
				1EU,	R912	NRSA02J-273X	MG RESISTOR	27kΩ 1/10W J	
				G433	R913	NRSA63J-682X	MG RESISTOR	6.8kΩ 1/16W J	
				UI,G4	R914	NRSA63J-123X	MG RESISTOR	12kΩ 1/16W J	
				34UI,	R915	NRSA63J-102X	MG RESISTOR	1kΩ 1/16W J	G433
				G435					UI,G4
U,G43					34UI,				
5UN,					G435				
G436					U,G43				
U,G43					5UN,				
6UN,					G435				
G436					UT,G4				
UT,G4					35UH,				
36UH,					G436				
G437					U,G43				
EE					6UN,				
G431					G436				
E,G43					UT,G4				
1EX,G					36UH				
431E									
Y,G43									
1EU,									
G433									
UI,G4									
34UI,									
G435									
U,G43									
5UN,									
G435									
UT,G4									
35UH,									
G436									
U,G43									
6UN,									
G436									
UT,G4									
36UH,									
G437									
EE									
G431									
E,G43									
1EX,G									
431E									
Y,G43									
1EU,									
G433									
UI,G4									
34UI,									
G435									
U,G43									
5UN,									
G435									
UT,G4									
35UH,									
G436									
U,G43									
6UN,									
G436									
UT,G4									
36UH,									
G437									
EE									
G431									
E,G43									
1EX,G									
431E									
Y,G43									
1EU,									
G433									
UI,G4									
34UI,									
G435									
U,G43									
5UN,									
G435									
UT,G4									
35UH,									
G436									
U,G43									
6UN,									
G436									
UT,G4									
36UH,									
G437									
EE									
G431									
E,G43									
1EX,G									
431E									
Y,G43									
1EU,									
G433									
UI,G4									
34UI,									
G435									
U,G43									
5UN,									
G435									
UT,G4									
35UH,									
G436									
U,G43									
6UN,									
G436									
UT,G4									
36UH,									
G437									
EE									
G431									
E,G43									
1EX,G									
431E									
Y,G43									
1EU,									
G433									
UI,G4									
34UI,									
G435									
U,G43									
5UN,									
G435									
UT,G4									
35UH,									
G436									
U,G43									
6UN,									
G436									
UT,G4									
36UH,									
G437									
EE									
G431									
E,G43									
1EX,G									
431E									
Y,G43									
1EU,									
G433									
UI,G4									
34UI,									
G435									
U,G43									
5UN,									
G435									
UT,G4									
35UH,									
G436									
U,G43									
6UN,									
G436									
UT,G4									
36UH,									
G437									
EE									
G431									
E,G43									
1EX,G									
431E									
Y,G43									
1EU,									
G433									
UI,G4									
34UI,									
G435									
U,G43									
5UN,									
G435									
UT,G4									
35UH,									
G436									
U,G43									
6UN,									
G436									
UT,G4									
36UH,									
G437									
EE									
G431									
E,G43									
1EX,G									
431E									
Y,G43									
1EU,									
G433									
UI,G4									
34UI,									
G435									
U,G43									
5UN,									
G435									
UT,G4									
35UH,									
G436									
U,G43									
6UN,									
G436									
UT,G4									
36UH,									
G437									
EE									
G431									
E,G43									
1EX,G									
431E									
Y,G43									
1EU,									
G433									
UI,G4									
34UI,									
G435									
U,G43									
5UN,									
G435									
UT,G4									
35UH,									
G436									
U,G43									
6UN,									
G436									
UT,G4									
36UH,									
G437									
EE									
G431									
E,G43									
1EX,G									
431E									
Y,G43									
1EU,									
G433									
UI,G4									
34UI,									
G435									
U,G43									
5UN,									
G435									
UT,G4									
35UH,									
G436									
U,G43									
6UN,									
G436									
UT,G4									
36UH,									
G437									
EE									
G431									
E,G43									
1EX,G									
431E									
Y,G43									
1EU,									
G433									
UI,G4									
34UI,									
G435									
U,G43									
5UN,									
G435									
UT,G4									
35UH,									
G436									
U,G43									
6UN,									
G436									
UT,G4									
36UH,									
G437									
EE									
G431									
E,G43									
1EX,G									
431E									
Y,G43									
1EU,									
G433									
UI,G4									
34UI,									
G435									
U,G43									
5UN,									
G435									
UT,G4									
35UH,									
G436									
U,G43									

△ Symbol No.	Part No.	Part Name	Description	Local
△ TU1	QAU0484-001	TUNER PACK		G431 E,G43 1EX,G 431E Y,G43 1EU, G433 UI,G4 34UI, G435 U,G43 5UN, G435 UT,G4 35UH, G436 U,G43 6UN, G436 UT,G4 36UH G437 EE,G3 87EE
△ TU1	QAU0485-001	TUNER PACK		G431 E,G43 1EX,G 431E Y,G43 1EU, G437 EE,G3 87EE
X71	QAX0263-001Z	CRYSTAL	4.332MHz	G431 E,G43 1EX,G 431E Y,G43 1EU, G437 EE,G3 87EE
X521	QAX0714-001Z	C RESONATOR	16.000MHz	
X701	QAX0667-001Z	C RESONATOR	8.000MHz	
X702	QAX0401-001	CRYSTAL	32.768KHz	

△ Symbol No.	Part No.	Part Name	Description	Local
D632	SML-310LT/MN/-X	LED		G433 UI,G4 34UI, G435 U,G43 5UN, G435 UT,G4 35UH, G436 U,G43 6UN, G436 UT,G4 36UH G431 E,G43 1EX,G 431E Y,G43 1EU, G437 EE,G3 87EE
D633	LSQ971/KL/-X	LED		G433 UI,G4 34UI, G435 U,G43 5UN, G435 UT,G4 35UH, G436 U,G43 6UN, G436 UT,G4 36UH G431 E,G43 1EX,G 431E Y,G43 1EU, G437 EE,G3 87EE
D633	SML-310LT/MN/-X	LED		G433 UI,G4 34UI, G435 U,G43 5UN, G435 UT,G4 35UH, G436 U,G43 6UN, G436 UT,G4 36UH G431 E,G43 1EX,G 431E Y,G43 1EU, G437 EE,G3 87EE
D634	LSQ971/KL/-X	LED		G433 UI,G4 34UI, G435 U,G43 5UN, G435 UT,G4 35UH, G436 U,G43 6UN, G436 UT,G4 36UH G431 E,G43 1EX,G 431E Y,G43 1EU, G437 EE,G3 87EE
D634	SML-310LT/MN/-X	LED		G433 UI,G4 34UI, G435 U,G43 5UN, G435 UT,G4 35UH, G436 U,G43 6UN, G436 UT,G4 36UH G431 E,G43 1EX,G 431E Y,G43 1EU, G437 EE,G3 87EE
D635	LSQ971/KL/-X	LED		G433 UI,G4 34UI, G435 U,G43 5UN, G435 UT,G4 35UH, G436 U,G43 6UN, G436 UT,G4 36UH G431 E,G43 1EX,G 431E Y,G43 1EU, G437 EE,G3 87EE
D635	SML-310LT/MN/-X	LED		G433 UI,G4 34UI, G435 U,G43 5UN, G435 UT,G4 35UH, G436 U,G43 6UN, G436 UT,G4 36UH G431 E,G43 1EX,G 431E Y,G43 1EU, G437 EE,G3 87EE

Switch board

Block No. [0][2]

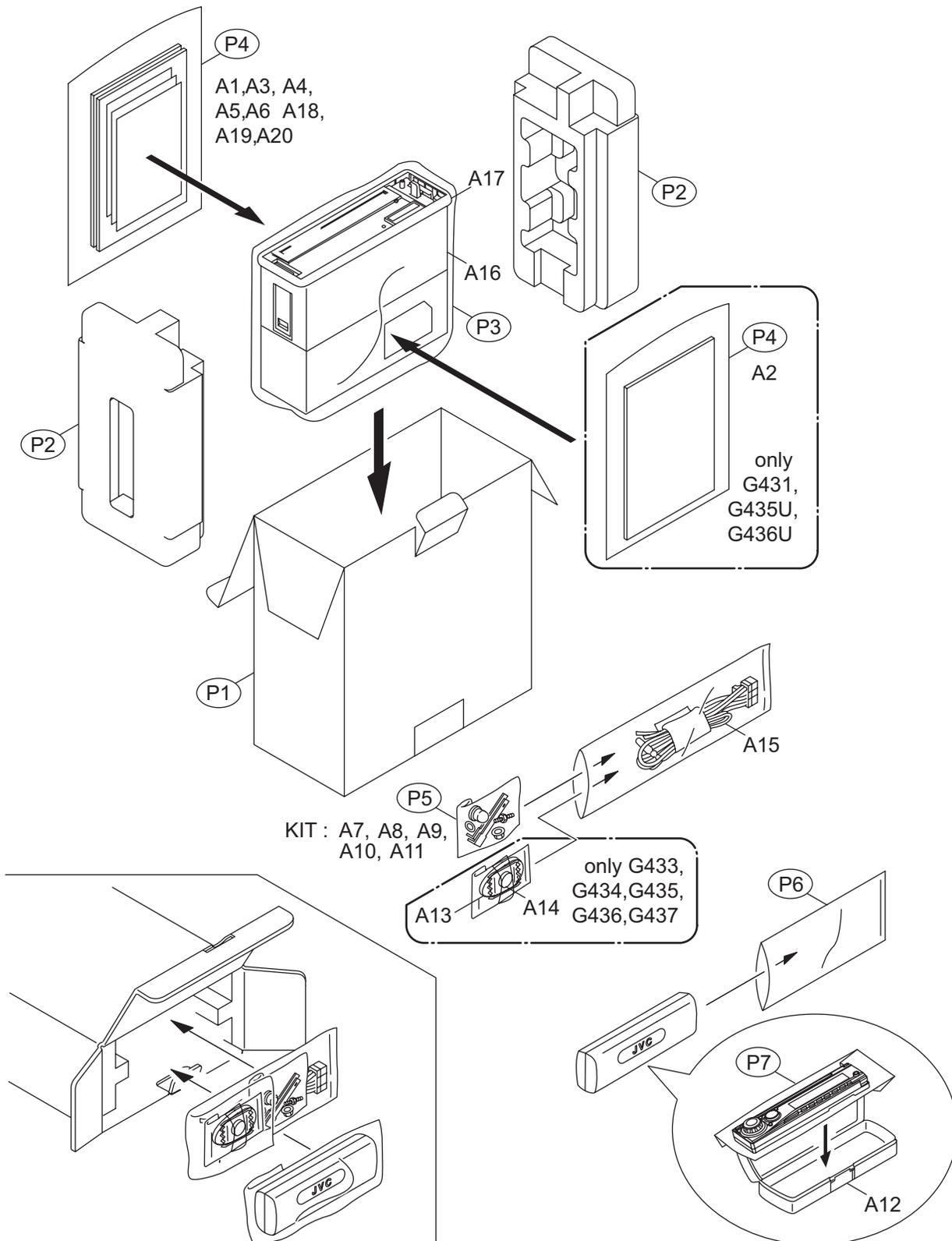
△ Symbol No.	Part No.	Part Name	Description	Local
IC661	LC75823W-UJ	IC		
IC681	RPM7338-V4	RM.RECEIVER		
D630	SML-310LT/MN/-X	LED		G431 E,G43 1EX,G 431E Y,G43 1EU, G437 EE,G3 87EE
D631	LSQ971/KL/-X	LED		G433 UI,G4 34UI, G435 U,G43 5UN, G435 UT,G4 35UH, G436 U,G43 6UN, G436 UT,G4 36UH G431 E,G43 1EX,G 431E Y,G43 1EU, G437 EE,G3 87EE
D631	SML-310LT/MN/-X	LED		G433 UI,G4 34UI, G435 U,G43 5UN, G435 UT,G4 35UH, G436 U,G43 6UN, G436 UT,G4 36UH G431 E,G43 1EX,G 431E Y,G43 1EU, G437 EE,G3 87EE
D632	LSQ971/KL/-X	LED		G433 UI,G4 34UI, G435 U,G43 5UN, G435 UT,G4 35UH, G436 U,G43 6UN, G436 UT,G4 36UH G431 E,G43 1EX,G 431E Y,G43 1EU, G437 EE,G3 87EE

△ Symbol No.	Part No.	Part Name	Description	Local
D653	NSPW310BS/BRST/	LED		
D661	1SS355W-X	DIODE		
D661	or MA111-X	SI DIODE		
D662	UDZW5.1B-X	SB DIODE		
D662	or MA8051/M/-X	Z DIODE		
C661	NCB21AK-105X	C CAPACITOR	1uF 10V K	
C662	NDC31HJ-681X	C CAPACITOR	680pF 50V J	
C663	NCB31HK-223X	C CAPACITOR	0.022uF 50V K	
C682	NCB31HK-103X	C CAPACITOR	0.01uF 50V K	
R601	NRSA63J-821X	MG RESISTOR	820Ω 1/16W J	
R602	NRSA63J-821X	MG RESISTOR	820Ω 1/16W J	
R603	NRSA63J-122X	MG RESISTOR	1.2kΩ 1/16W J	
R604	NRSA63J-182X	MG RESISTOR	1.8kΩ 1/16W J	
R605	NRSA63J-272X	MG RESISTOR	2.7kΩ 1/16W J	
R606	NRSA63J-821X	MG RESISTOR	820Ω 1/16W J	
R607	NRSA63J-821X	MG RESISTOR	820Ω 1/16W J	
R608	NRSA63J-122X	MG RESISTOR	1.2kΩ 1/16W J	
R609	NRSA63J-182X	MG RESISTOR	1.8kΩ 1/16W J	
R610	NRSA63J-272X	MG RESISTOR	2.7kΩ 1/16W J	
R611	NRSA63J-821X	MG RESISTOR	820Ω 1/16W J	
R612	NRSA63J-821X	MG RESISTOR	820Ω 1/16W J	
R613	NRSA63J-122X	MG RESISTOR	1.2kΩ 1/16W J	
R614	NRSA63J-182X	MG RESISTOR	1.8kΩ 1/16W J	
R615	NRSA63J-272X	MG RESISTOR	2.7kΩ 1/16W J	
R616	NRSA63J-392X	MG RESISTOR	3.9kΩ 1/16W J	
R617	NRSA63J-103X	MG RESISTOR	10kΩ 1/16W J	
R630	NRSA63J-271X	MG RESISTOR	270Ω 1/16W J	
R631	NRSA02J-621X	MG RESISTOR	620Ω 1/10W J	
R633	NRSA63J-561X	MG RESISTOR	560Ω 1/16W J	
R635	NRSA63J-561X	MG RESISTOR	560Ω 1/16W J	
R637	NRSA63J-561X	MG RESISTOR	560Ω 1/16W J	
R639	NRSA63J-561X	MG RESISTOR	560Ω 1/16W J	
R641	NRSA63J-561X	MG RESISTOR	560Ω 1/16W J	
R643	NRSA63J-561X	MG RESISTOR	560Ω 1/16W J	
R645	NRSA63J-561X	MG RESISTOR	560Ω 1/16W J	
R647	NRSA63J-561X	MG RESISTOR	560Ω 1/16W J	
R650	NRS181J-181X	MG RESISTOR	180Ω 1/8W J	
R651	NRSA63J-561X	MG RESISTOR	560Ω 1/16W J	
R661	NRSA63J-222X	MG RESISTOR	2.2kΩ 1/16W J	
R662	NRSA63J-222X	MG RESISTOR	2.2kΩ 1/16W J	
R663	NRSA63J-225X	MG RESISTOR	2.2MΩ 1/16W J	
R664	NRSA63J-103X	MG RESISTOR	10kΩ 1/16W J	
R665	NRSA63J-513X	MG RESISTOR	51kΩ 1/16W J	
R666	NRSA63J-103X	MG RESISTOR	10kΩ 1/16W J	
R667	NRSA63J-103X	MG RESISTOR	10kΩ 1/16W J	
R668	NRSA63J-103X	MG RESISTOR	10kΩ 1/16W J	
R681	NRSA63J-471X	MG RESISTOR	470Ω 1/16W J	
R682	NRSA63J-103X	MG RESISTOR	10kΩ 1/16W J	
R858	NRSA63J-471X	MG RESISTOR	470Ω 1/16W J	
CJ601	QGZ1601K1-15S	CONNECTOR	(1-15)	
J601	QNS0280-001	AUX JACK		
JS686	QSW1219-001	ENCODER		
S601	NSW0124-001X	TACT SW		
S602	NSW0124-001X	TACT SW		
S603	NSW0124-001X	TACT SW		
S604	NSW0124-001X	TACT SW		
S605	NSW0124-001X	TACT SW		
S606	NSW0124-001X	TACT SW		
S607	NSW0124-001X	TACT SW		
S608	NSW0124-001X	TACT SW		
S609	NSW0124-001X	TACT SW		
S610	NSW0124-001X	TACT SW		
S611	NSW0124-001X	TACT SW		
S612	NSW0124-001X	TACT SW		
S613	NSW0124-001X	TACT SW		
S614	NSW0124-001X	TACT SW		
S615	NSW0124-001X	TACT SW		
S616	NSW0124-001X	TACT SW		
S617	NSW0124-001X	TACT SW		
S618	NSW0124-001X	TACT SW		

Packing materials and accessories parts list

Block No. M 3 M M

No additional / supplemental order of WARRANTY CARDS are available



The parts without symbol number are not service.

Packing and Accessories

Block No. [M][3][M][M]

△ Symbol No.	Part No.	Part Name	Description	Local
A 1	GET0410-002A	INST BOOK	SPA POR GRE	G431E
A 1	GET0410-004A	INST BOOK	DUT DAN FIN SWE	G431EX
A 1	GET0410-007A	INST BOOK	HUN CZE POL	G431EY
A 1	GET0410-005A	INST BOOK	SPA PER TUK	G431EU
A 1	GET0412-001A	INST BOOK	ENG	G433UI,G434UI
A 1	GET0411-001A	INST BOOK	ENG THA	G435U,G435UH,G436U,G436UH
A 1	GET0411-004A	INST BOOK	ENG INA	G435UN,G436UN
A 1	GET0411-005A	INST BOOK	ENG CHI(TAIWAN)	G435UT,G436UT
A 1	GET0414-001A	INST BOOK	ENG RUS UKR	G437EE,G387EE
A 2	GET0410-001A	INST BOOK	GER FRE ITA	G431E
A 2	GET0410-003A	INST BOOK	ENG FRE	G431EX,G431EU
A 2	GET0410-006A	INST BOOK	ENG GER RUS	G431EY
A 2	GET0411-002A	INST BOOK	ARA KOR CHI(TAIWAN) PER	G435U,G436U
A 3	GET0411-003A	INST BOOK	RUS	G435U,G436U
A 4	GET0410-008A	INSTALL MANUAL	GER FRE ITA	G431E
A 4	GET0410-010A	INSTALL MANUAL	ENG FRE	G431EX,G431EU
A 4	GET0410-013A	INSTALL MANUAL	ENG GER RUS	G431EY
A 4	GET0412-002A	INSTALL MANUAL	ENG	G433UI,G434UI
A 4	GET0411-006A	INSTALL MANUAL	ENG THA	G435U,G435UH,G436U,G436UH
A 4	GET0411-009A	INSTALL MANUAL	ENG INA	G435UN,G436UN
A 4	GET0411-010A	INSTALL MANUAL	ENG CHI(TAIWAN)	G435UT,G436UT
A 4	GET0414-002A	INSTALL MANUAL	ENG RUS UKR	G437EE,G387EE
A 5	GET0410-009A	INSTALL MANUAL	SPA POR GRE	G431E
A 5	GET0410-011A	INSTALL MANUAL	DUT DAN FIN SWE	G431EX
A 5	GET0410-014A	INSTALL MANUAL	HUN CZE POL	G431EY
A 5	GET0410-012A	INSTALL MANUAL	SPA PER TUK	G431EU
A 5	GET0411-007A	INSTALL MANUAL	ARA KOR CHI(TAIWAN) PER	G435U,G436U
A 6	GET0411-008A	INSTALL MANUAL	RUS	G435U,G436U
A 7	VKZ4027-202	PLUG NUT		
A 8	VKH4871-003	MOUNT BOLT		
A 9	VKZ4328-003	LOCK NUT		
A 10	QYVWS53A008ZA	WASHER	0mm/5.3mm x	
A 11	GE40130-002A	HOOK	(x2)	
A 12	GE32320-001A	HARD CASE ASSY		
A 13	RM-RK50C	REMOCON		G433UI,G434UI,G435U,G435UN,G435UT, G435UH,G436U,G436UN,G436UT, G436UH,G437EE
A 14	-----	BATTERY	3V	G433UI,G434UI,G435U,G435UN,G435UT, G435UH,G436U,G436UN,G436UT, G436UH,G437EE
A 15	QAM0463-002	ISO ADAPTER		G431E,G431EX,G431EY,G431EU, G437EE,G387EE
A 15	QAM0390-004	16P CORD ASSY		G433UI,G434UI,G435U,G435UN,G435UT, G435UH,G436U,G436UN,G436UT, G436UH
A 16	GE20137-003A	MOUNTING SLEEVE		
A 17	GE20204-007A	TRIM PLATE		G431E,G431EX,G431EY,G431EU,G434UI, G435U,G435UN,G435UT,G435UH
A 17	GE20204-008A	TRIM PLATE		G433UI,G436U,G436UN,G436UT,G436UH
A 17	GE20204-001A	TRIM PLATE		G437EE,G387EE
A 18	-----	WARRANTY CARD	BT-54030-1	G431E,G431EX,G431EY,G437EE,G387EE
A 19	VND3046-001	SERIAL TICKET		G431E,G431EX,G431EY,G437EE,G387EE
A 20	VND3050-002	IDENTITY CARD		G431E,G431EX,G431EY
KIT	SRW-385U	SCREW PARTS KIT	A7 A8 A9 A10 A11	
P 1	GE32418-002A	CARTON		G431E,G431EX,G431EY,G431EU
P 1	GE32526-002A	CARTON		G433UI
P 1	GE32424-002A	CARTON		G434UI
P 1	GE32421-002A	CARTON		G435U,G435UN,G435UT,G435UH
P 1	GE32523-002A	CARTON		G436U,G436UN,G436UT,G436UH
P 1	GE32427-002A	CARTON		G437EE
P 1	GE32694-003A	CARTON		G387EE
P 2	GE10201-001A	EPS CUSHION		
P 3	QPC03004315P	POLY BAG	30cm x 43cm	
P 4	FSPG4002-001	POLY BAG	(x2)	G431E,G431EX,G431EY,G431EU,G435U, G436U
P 4	FSPG4002-001	POLY BAG		G433UI,G434UI,G435UN,G435UT, G435UH,G436UN,G436UT,G436UH, G437EE,G387EE
P 5	QPA00801205	POLY BAG	8cm x 12cm	
P 6	QPA01003003	POLY BAG	10cm x 30cm	
P 7	QPC01002515	POLY BAG	10cm x 25cm	

JVC Service Bulletin

Model	Service Manual No.	Priority
※Please refer to 2 page.	※Please refer to 2 page.	() S.All products. () a.Items in JVC dealer stock / service return goods. () b.JVC stock / units returned for service. () c.Sold items returned for service. (x) d.Only units related to this bulletin. () e.Others.

DATE:9, Apr, '07

CD can not eject and CD can not play

<Problem>

CD can not eject and CD can not play.

<Cause>

Black powder caught between Brush and Commutator in Loading motor, and electricity stopped passing.

<Remedy>

The material of Commutator was changed.
 Refer to Service Manual No.MY003 or MY005.
 Exchange the part below.

Page	Block No.	Symbol No.	Previous Part No.	New Part No.	Part Name
3-3	[M][B][M][M]	99	303505301T	303505307T	MOTOR ASSY

Serial number which corresponds by factory production

112 • XXXX -

VICTOR COMPANY OF JAPAN, LIMITED

1 5 9 0 0

Customer Satisfaction Group, Quality Assurance Dept.
 Mobile Entertainment Category
 Mobile Entertainment business Category

Model	Service Manual No.	Model	Service Manual No.
KD-AR370J	MA245	KD-G632EY	MA292
KD-G320J	MA245	KD-G634UI	MA292
KD-S33J	MA245	KD-G635U	MA292
KD-G425U	MA245	KD-G635UH	MA292
KD-G424UI	MA245	KD-G635UN	MA292
KD-G421E	MA245	KD-G635UT	MA292
KD-G421EU	MA245	KD-G635UF	MA292
KD-G421EX	MA245	KD-G637EE	MA313
KD-G421EY	MA245	KD-AR480J	MA293
KD-G424UI	MA245	KD-G430J	MA293
KD-G425U	MA245	KD-G531E	MA293
KD-G425UH	MA245	KD-G531EU	MA293
KD-G425UN	MA245	KD-G531EX	MA293
KD-G425UT	MA245	KD-G531EY	MA293
KD-G427EE	MA245	KD-G534UI	MA293
KD-G220J	MA236	KD-G535U	MA293
KD-AR270J	MA236	KD-G535UH	MA293
KD-G227EE	MA236	KD-G535UN	MA293
KD-G279UR	MA266	KD-G535UT	MA293
KD-G321E	MA236	KD-G536U	MA293
KD-G321EU	MA236	KD-G536UH	MA293
KD-G321EX	MA236	KD-G536UN	MA293
KD-G321EY	MA236	KD-G536UT	MA293
KD-G322E	MA236	KD-G537EE	MA293
KD-G322EU	MA236	KD-G538UF	MA293
KD-G322EX	MA236	KD-G489UR	MA340
KD-G322EY	MA236	KD-APD58J	MA294
KD-G323UI	MA236	KD-PDR50J	MA294
KD-G324UI	MA236	KD-PDR51E	MA294
KD-G325U	MA236	KD-PDR51EX	MA294
KD-G325UH	MA236	KD-PDR51EU	MA294
KD-G325UN	MA236	KD-PDR51EY	MA294
KD-G325UT	MA236	KD-PDR54UI	MA294
KD-G326U	MA236	KD-PDR55U	MA294
KD-G326UH	MA236	KD-PDR55UH	MA294
KD-G326UN	MA236	KD-PDR55UN	MA294
KD-G326UT	MA236	KD-PDR55UT	MA294
KD-G327EE	MA236	KD-APD38J	MA307
KD-G328UF	MA283	KD-PDR30J	MA307
KD-G120J	MA233	KD-PDR31E	MA307
KD-G120RJ	MA233	KD-PDR31EU	MA307
KD-G123UI	MA233	KD-PDR31EX	MA307
KD-G124UI	MA233	KD-PDR31EY	MA307
KD-G125U	MA233	KD-PDR35U	MA307
KD-G125UH	MA233	KD-PDR35UH	MA307
KD-G125UN	MA233	KD-PDR35UN	MA307

Model	Service Manual No.	Model	Service Manual No.
KD-G125UT	MA233	KD-PDR35UT	MA307
KD-G126U	MA233	KD-G426U	MA274
KD-G126UH	MA233	KD-G426UH	MA274
KD-G126UN	MA233	KD-G435U	MA290
KD-G126UT	MA233	KD-G435UH	MA290
KD-G161E	MA233	KD-G435UN	MA290
KD-G161EU	MA233	KD-G435UT	MA290
KD-G161EX	MA233	KD-G387EE	MA290
KD-G161EY	MA233	KD-G431E	MA290
KD-G162E	MA233	KD-G431EU	MA290
KD-G162EU	MA233	KD-G431EX	MA290
KD-G162EX	MA233	KD-G431EY	MA290
KD-G162EY	MA233	KD-G433UI	MA290
KD-BT1J	MA318	KD-G434UI	MA290
KD-BT1E	MA318	KD-G436U	MA290
KD-BT1EE	MA318	KD-G436UH	MA290
KD-BT1EX	MA318	KD-G436UN	MA290
KD-BT1EY	MA318	KD-G436UT	MA290
KD-BT1U	MA318	KD-G437EE	MA290
KD-BT1UH	MA318	KW-XG700J	MA346
KD-BT1UN	MA318	KW-XG701E	MA346
KD-BT1UT	MA318	KW-XG701EU	MA346
KD-AR880J	MA328	KW-XG701EX	MA346
KD-G830J	MA328	KW-XG701EY	MA346
KD-AR780J	MA309	KW-XG704UI	MA346
KD-G730J	MA309	KW-XG705U	MA346
KD-G735U	MA306	KW-XG705UH	MA346
KD-G731E	MA306	KW-XG705UN	MA346
KD-G731EU	MA306	KW-XG706U	MA346
KD-G731EX	MA306	KW-XG706UH	MA346
KD-G731EY	MA306	KW-XG706UN	MA346
KD-G734UI	MA306	KW-XG707EE	MA346
KD-G735UH	MA306	KW-XG708UF	MA346
KD-G735UN	MA306	KW-XG500J	MA345
KD-G735UT	MA306	KW-XG504UI	MA345
KD-G737EE	MA306	KW-XG505U	MA345
KD-G738UF	MA306	KW-XG505UH	MA345
KD-G638UF	MA292	KW-XG505UN	MA345
KD-G631E	MA292	KW-XG506U	MA345
KD-G631EU	MA292	KW-XG506UH	MA345
KD-G631EY	MA292	KW-XG506UN	MA345
KD-G631EX	MA292	KW-XG508UF	MA345
KD-G632E	MA292	KD-DB101EX	MA319
KD-G632EU	MA292	KD-DB101EY	MA319
KD-G632EX	MA292		